

# TC25

## Touch Computer



## Quick Start Guide



**ZEBRA**

This guide applies to model numbers: TC25AJ, TC25BJ and TC25CJ.

---

## Copyright

© 2017 ZIH Corp. and/or its affiliates. All rights reserved. ZEBRA and the stylized Zebra head are trademarks of ZIH Corp., registered in many jurisdictions worldwide. All other trademarks are the property of their respective owners.

COPYRIGHTS & TRADEMARKS: For complete copyright and trademark information, go to [www.zebra.com/copyright](http://www.zebra.com/copyright).

WARRANTY: For complete warranty information, go to [www.zebra.com/warranty](http://www.zebra.com/warranty).

END USER LICENSE AGREEMENT: For complete EULA information, go to [www.zebra.com/eula](http://www.zebra.com/eula).

---

## Terms of Use

- Proprietary Statement

This manual contains proprietary information of Zebra Technologies Corporation and its subsidiaries ("Zebra Technologies"). It is intended solely for the information and use of parties operating and maintaining the equipment described herein. Such proprietary information may not be used, reproduced, or disclosed to any other parties for any other purpose without the express, written permission of Zebra Technologies.

- Product Improvements

Continuous improvement of products is a policy of Zebra Technologies. All specifications and designs are subject to change without notice.

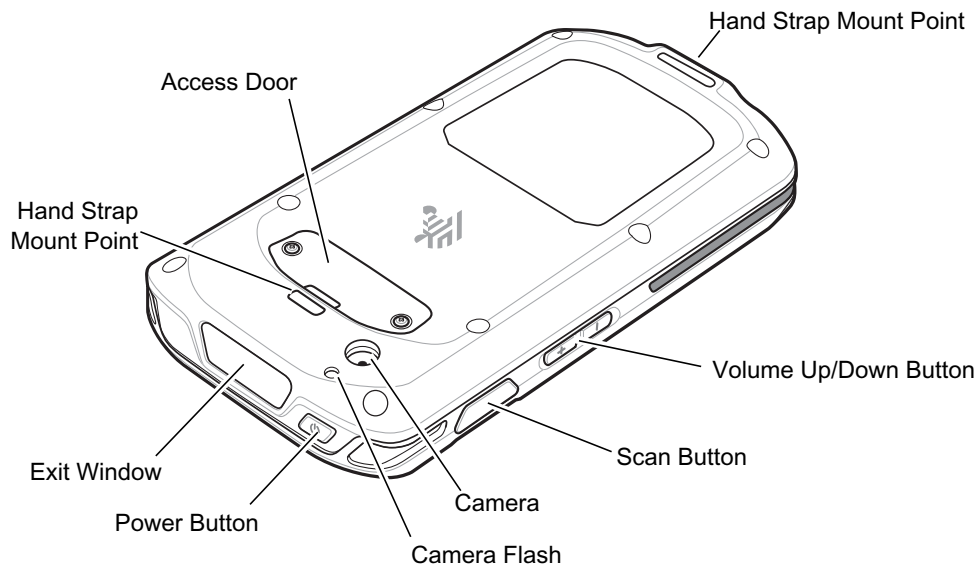
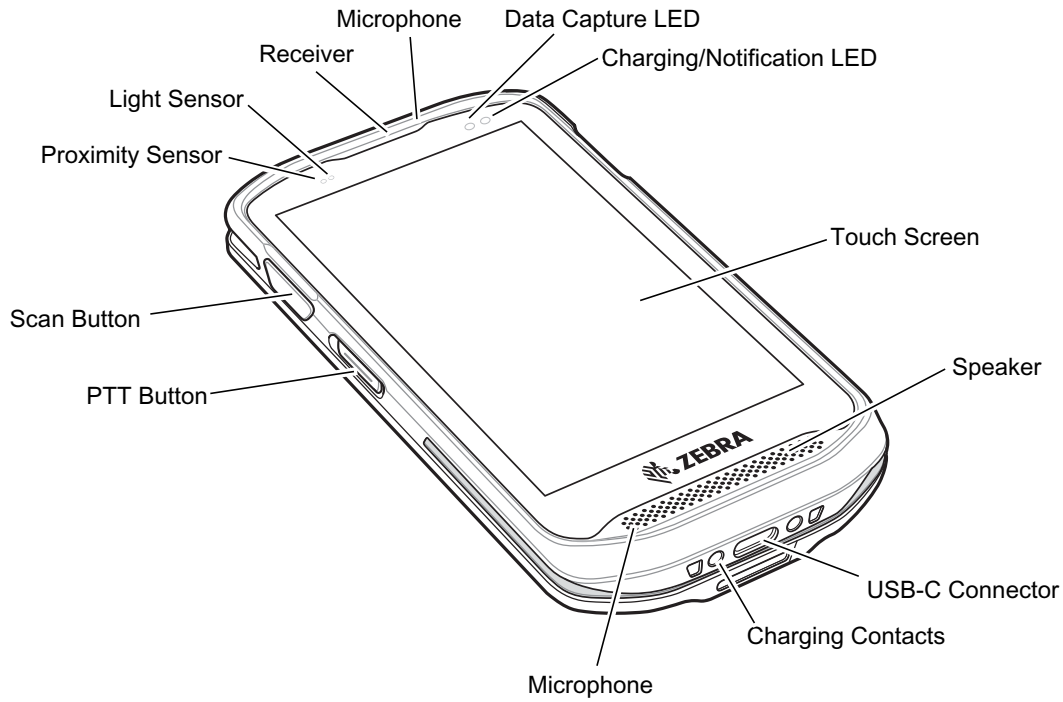
- Liability Disclaimer

Zebra Technologies takes steps to ensure that its published Engineering specifications and manuals are correct; however, errors do occur. Zebra Technologies reserves the right to correct any such errors and disclaims liability resulting therefrom.

- Limitation of Liability

In no event shall Zebra Technologies or anyone else involved in the creation, production, or delivery of the accompanying product (including hardware and software) be liable for any damages whatsoever (including, without limitation, consequential damages including loss of business profits, business interruption, or loss of business information) arising out of the use of, the results of use of, or inability to use such product, even if Zebra Technologies has been advised of the possibility of such damages. Some jurisdictions do not allow the exclusion or limitation of incidental or consequential damages, so the above limitation or exclusion may not apply to you.

## Features



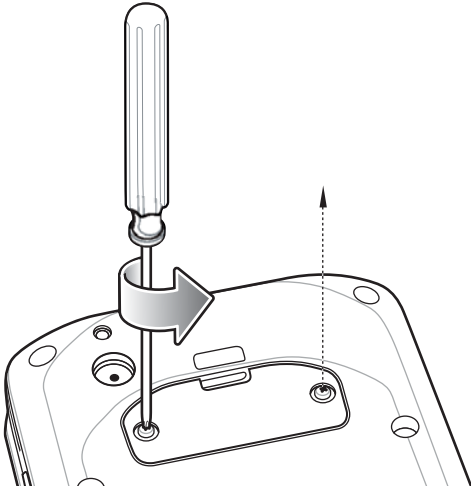
## Installing a microSD Card

The microSD card slot provides secondary non-volatile storage. The slot is located under the access door. Refer to the documentation provided with the card for more information, and follow the manufacturer's recommendations for use.

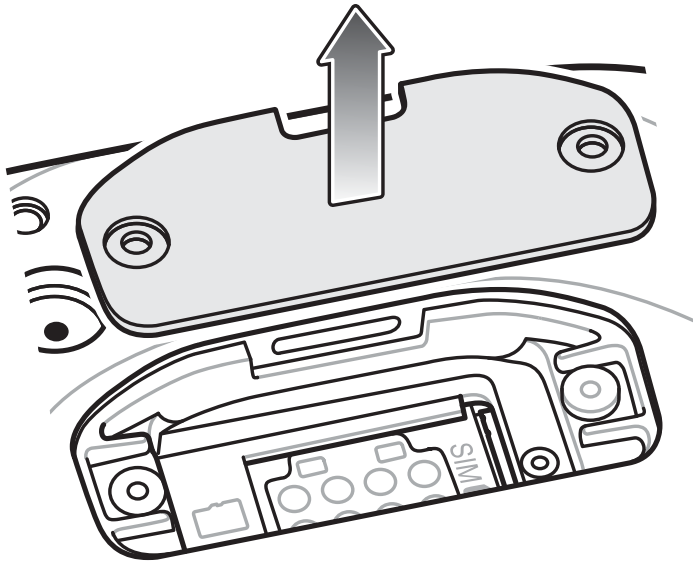


**CAUTION** Follow proper electrostatic discharge (ESD) precautions to avoid damaging the microSD card. Proper ESD precautions include, but are not limited to, working on an ESD mat and ensuring that the operator is properly grounded.

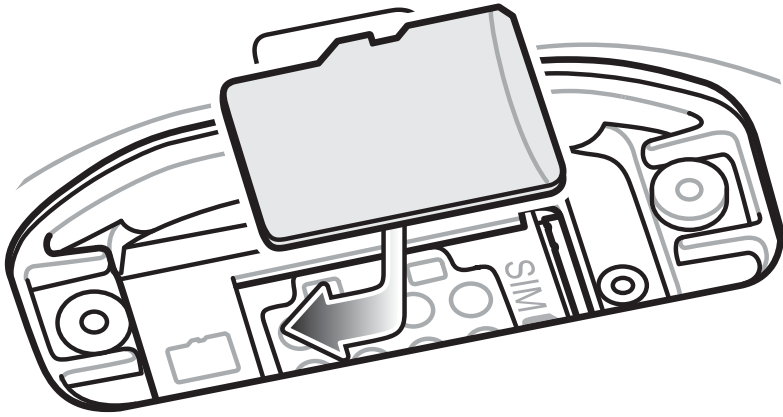
1. Using a #0 Phillips screwdriver, remove two screws securing the access door.



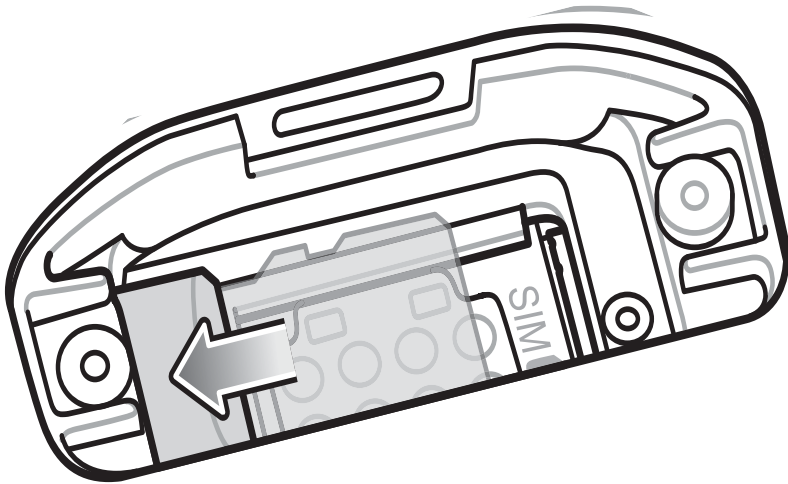
2. Remove access door.



3. Align the microSD card with the SD card slot.



4. Push the microSD card into the SD card slot.

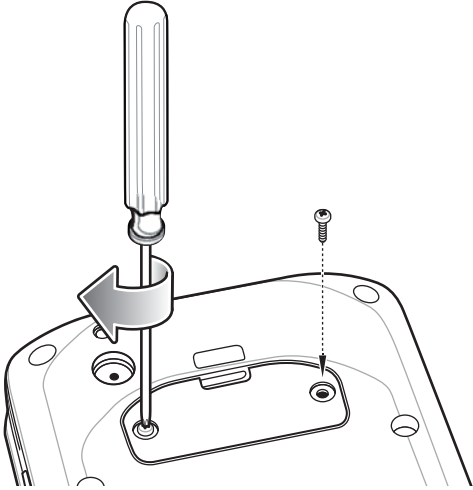


5. If installing a SIM card, skip to [Installing SIM Card on page 6](#)
6. Replace the access Door.
7. Secure the access door using the two screws.



**CAUTION** Access door must be replaced and securely seated to ensure proper device sealing.

8. Re-install the access door.



---

## Installing SIM Card



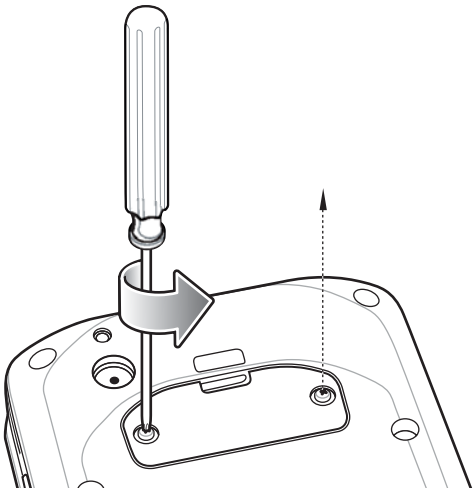
**NOTE** Only use a nano SIM card.



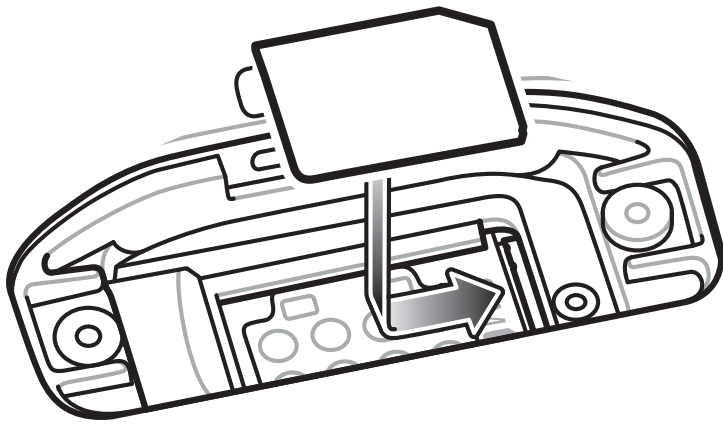
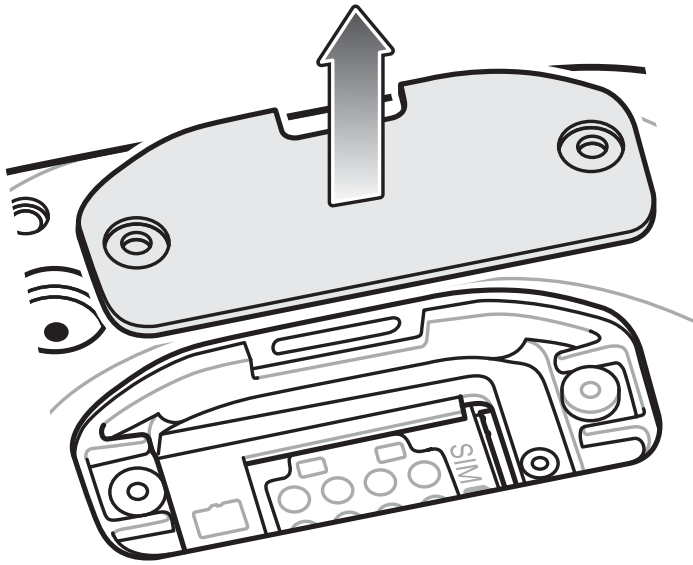
**CAUTION** For proper electrostatic discharge (ESD) precautions to avoid damaging the SIM card. Proper ESD precautions include, but not limited to, working on an ESD mat and ensuring that the user is properly grounded.

To install a SIM card:

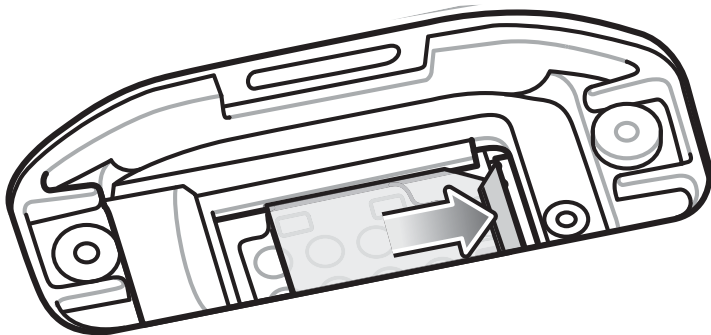
1. Using a #0 Phillips screwdriver, remove two screws securing the access door.



2. Remove access door.



3. Align the SIM card with the SIM slot.

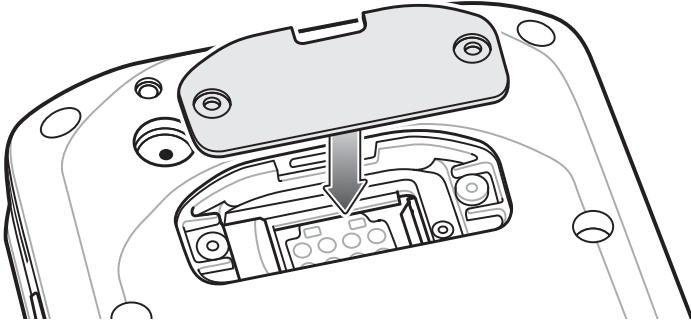


4. Push the SIM card into the SIM slot.

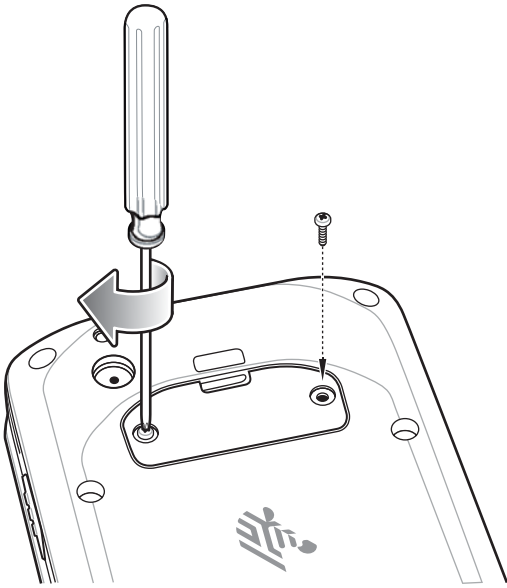


**CAUTION** Access door must be replaced and securely seated to ensure proper device sealing.

5. Replace the Access Door.



6. Secure door.





## Charging the TC25

Use one of the following accessories to charge the TC25.

**Table 1** Charging and Communication

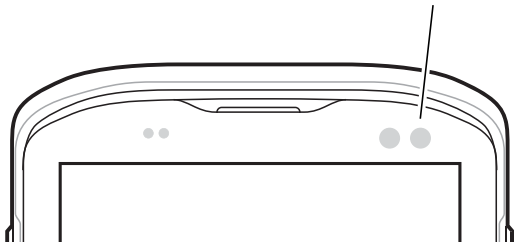
Description	Part Number	Charging	Communication	
		Battery	USB	Ethernet
1-Slot Charge Only Cradle	CRD-TC2X-BS1CO-01	Yes	No	No
1-Slot Ethernet Only Cradle	CRD-TC2X-SE1ET-01	Yes	Yes	With Optional Module
5-Slot Charge Only Cradle	CRD-TC2X-SE5CO-01	Yes	No	No
USB-C Cable	CBL-TC2X-USBC-01	Yes	Yes	No

## Charging the TC25

To charge the TC25:

1. To charge the internal battery, connect the charging accessory to the appropriate power source.
2. Insert the TC25 into a cradle or attach to a cable. The TC25 turns on and begins charging. The Charging/Notification LED blinks amber while charging, then turns solid green when fully charged.

Charging/Notification LED










The internal battery charges to 90% in approximately four hours and from fully depleted to 100% in approximately five hours.

**NOTE** In many cases the 90% charge provides plenty of charge for daily use. A full 100% charge lasts for approximately 10 hours of use.

Use only Zebra charging accessories and batteries. Charge batteries at room temperature with the TC25 in sleep mode.

Charge batteries in temperatures from 0°C to 40°C (32°F to 104°F). The device or cradle always performs battery charging in a safe and intelligent manner. At higher temperatures (e.g. approximately +37°C (+98°F)) the device or cradle may for small periods of time alternately enable and disable battery charging to keep the battery at acceptable temperatures. The device and cradle indicates when charging is disabled due to abnormal temperatures via its LED.

**Table 2** Charging/Notification LED Charging Indicators

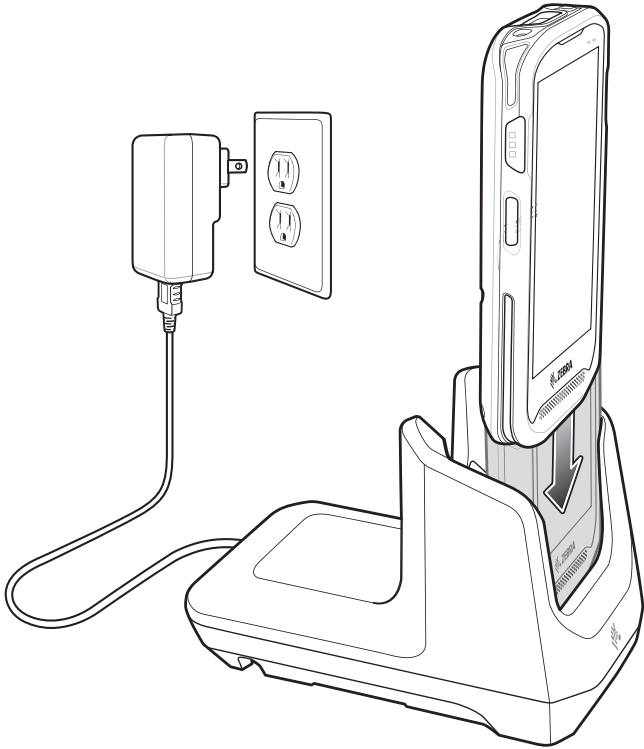
State	LED	Indication
Off		TC25 is not charging. TC25 is not inserted correctly in the cradle or connected to a power source. Charger/cradle is not powered.
Slow Blinking Amber (1 blink every 4 seconds)		TC25 is charging.
Slow Blinking Red (1 blink every 4 seconds)		TC25 is charging but the battery is at end of useful life. See system administrator.
Solid Green		Charging complete.
Solid Red		Charging complete but the battery is at end of useful life. See system administrator.
Fast Blinking Amber (2 blinks/second)		Charging error, e.g.: <ul style="list-style-type: none"> <li>• Temperature is too low or too high.</li> <li>• Charging has gone on too long without completion (typically 10 hours).</li> </ul>
Fast Blinking Red (2 blinks/second)		Charging error but the battery is at end of useful life., e.g.: <ul style="list-style-type: none"> <li>• Temperature is too low or too high.</li> <li>• Charging has gone on too long without completion (typically 10 hours).</li> </ul> See system administrator.

Charge batteries in temperatures from 0°C to 40°C (32°F to 104°F). The device or cradle always performs battery charging in a safe and intelligent manner. At higher temperatures (e.g. approximately +37°C (+98°F)) the device or cradle may for small periods of time alternately enable and disable battery charging to keep the battery at acceptable temperatures. The device and cradle indicates when charging is disabled due to abnormal temperatures via its LED.

## 1-Slot Charge Only Cradle

The 1-Slot Charge Only Cradle provide 5 VDC for charging:

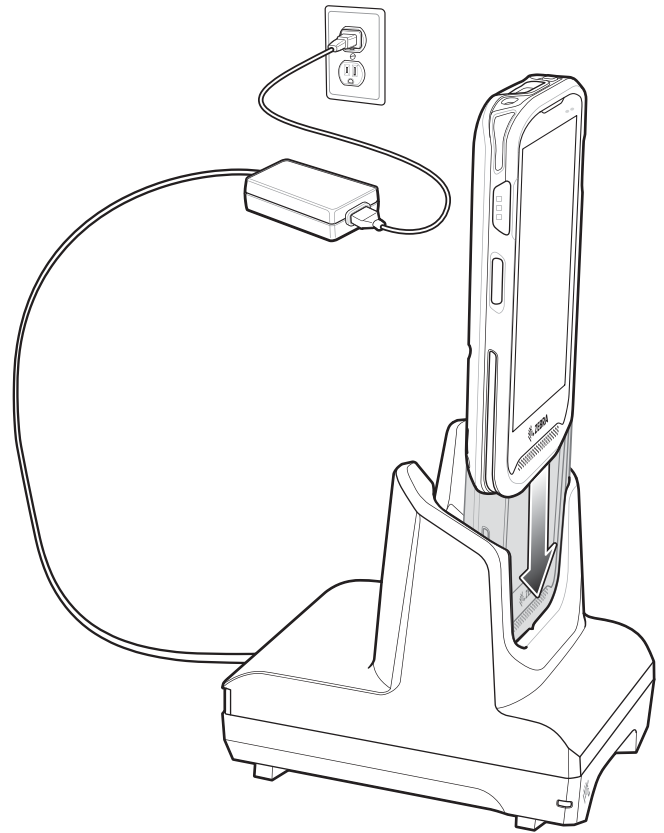
- TC25 battery
- Extended Power Pack
- TC25 and Extended Power Pack
- TC25 with Trigger Handle.



## 1-Slot Ethernet Cradle

The 1-Slot Ethernet Cradle:

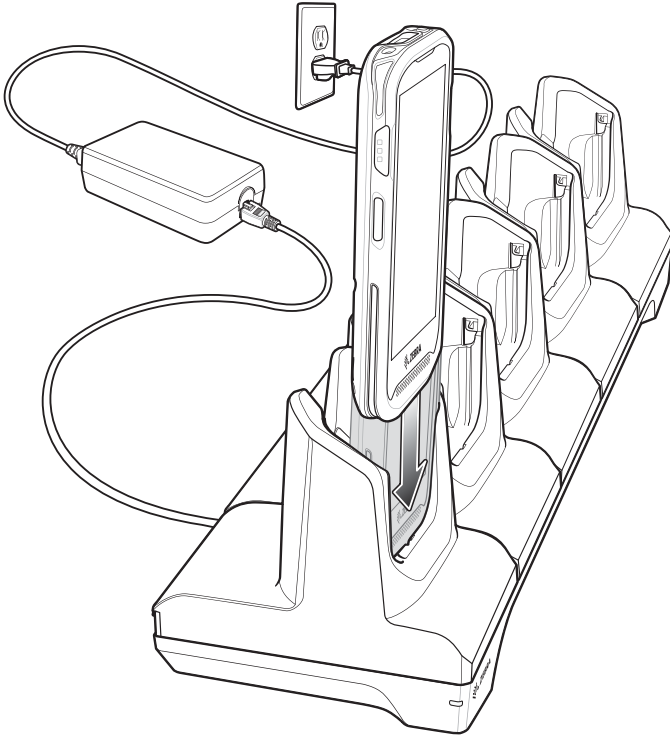
- Provides 5 VDC for charging:
  - TC25 battery
  - Extended Power Pack
  - TC25 and Extended Power Pack
  - TC25 with Trigger Handle.
- Provides USB communication.
- Provides Ethernet and USB communication using the USB/Ethernet Adapter.



## 5-Slot Charge Only Cradle

The 5-Slot Charge Only Cradle provides 5 VDC for charging:

- TC25 battery
- Extended Power Pack
- TC25 and Extended Power Pack
- TC25 with Trigger Handle.



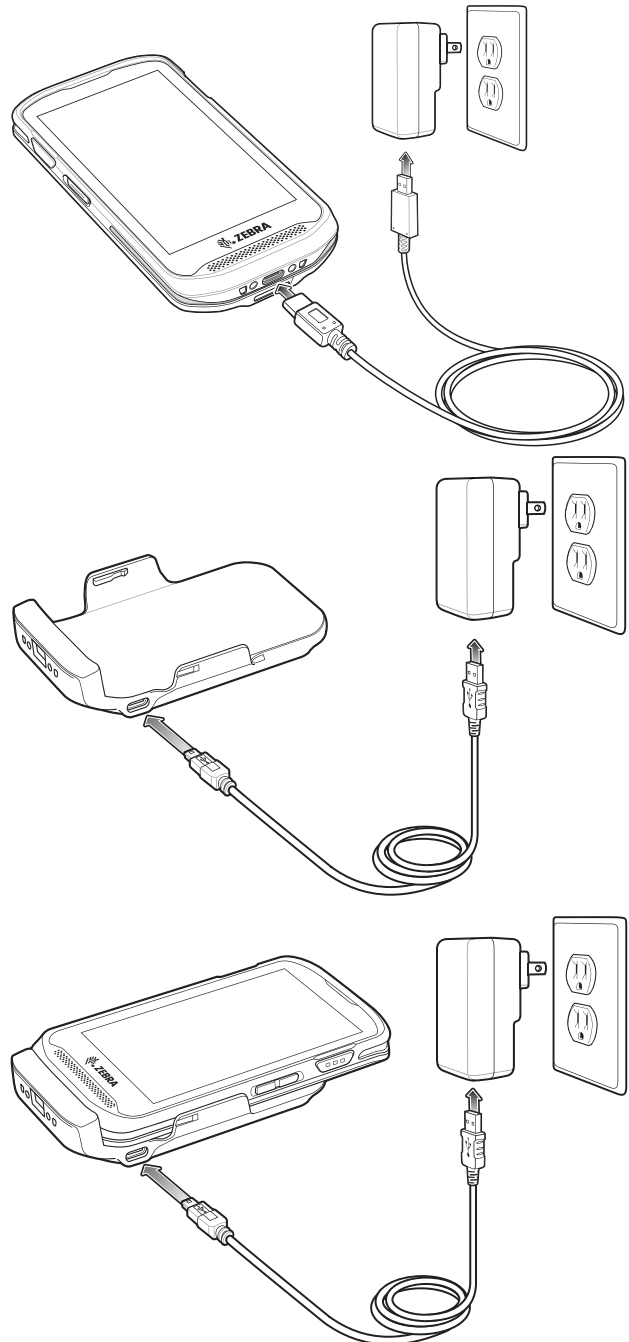
## USB Cable

The Zebra USB Cable provides 5 VDC for charging:

- TC25 battery
- Extended Power Pack
- TC25 and Extended Power Pack.



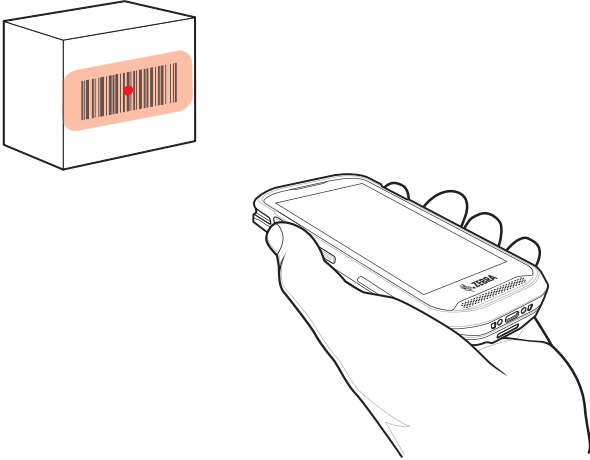
**NOTE** Use only Zebra USB-C cable for charging.



## Scanning

To read a bar code, a scan-enabled application is required. The TC25 contains the DataWedge application that allows the user to enable the imager, decode the bar code data and display the bar code content.

1. Ensure that an application is open on the TC25 and a text field is in focus (text cursor in text field).
2. Point the exit window on the top of the TC25 at a bar code.

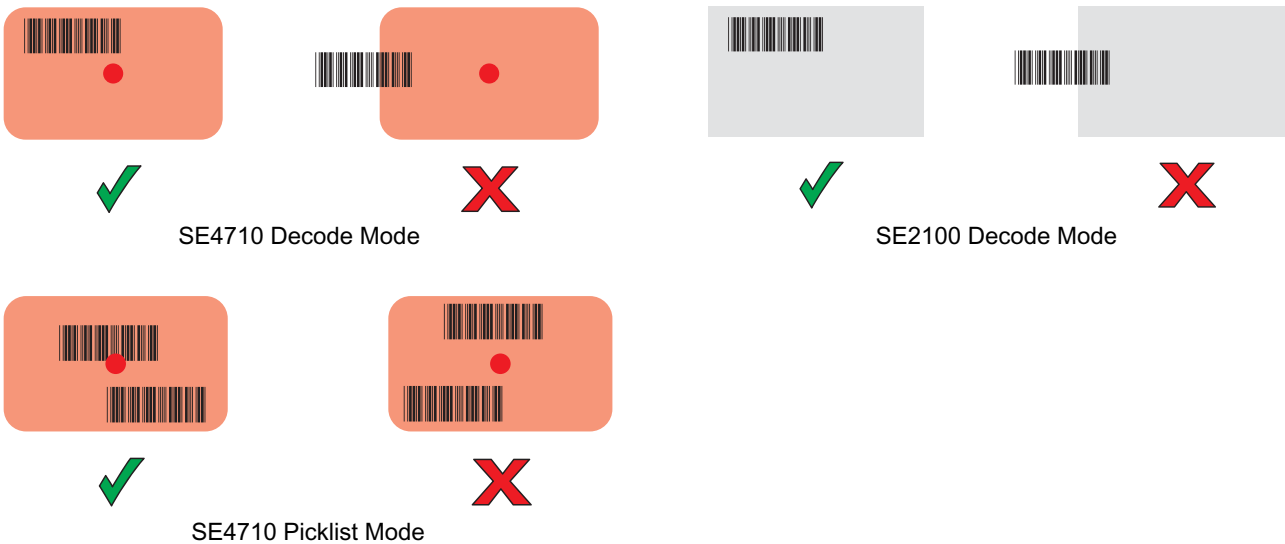


3. Press and hold the scan button.  
 On devices with SE4710 imager, the red LED aiming pattern turns on to assist in aiming.  
 On devices with SE2100 imager, the white LED aiming pattern turns on to assist in aiming.



**NOTE** Picklist Mode is only available on TC25 with SE4710 imager.  
 When the TC25 is in Picklist mode, the imager does not decode the bar code until the crosshair or aiming dot touches the bar code.

4. Ensure the bar code is within the area formed by the aiming pattern. On devices with SE4710 imager, the aiming dot is used for increased visibility in bright lighting conditions.



5. The Data Capture LED lights green and a beep sounds, by default, to indicate the bar code was decoded successfully.
6. Release the scan button.



**NOTE** Imager decoding usually occurs instantaneously. The TC25 repeats the steps required to take a digital picture (image) of a poor or difficult bar code as long as the scan button remains pressed. If the barcode can not be read within the timeout period the barcode imager engine turns off.

7. The bar code content data displays in the text field.

---

## Ergonomic Recommendations

