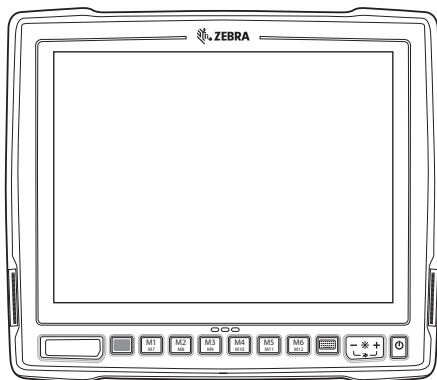




VC80



Vehicle Computer

Quick Reference Guide

© 2015 Zebra Technologies Corporation.

No part of this publication may be reproduced or used in any form, or by any electrical or mechanical means, without permission in writing from Zebra. This includes electronic or mechanical means, such as photocopying, recording, or information storage and retrieval systems. The material in this manual is subject to change without notice.

The software is provided strictly on an “as is” basis. All software, including firmware, furnished to the user is on a licensed basis. Zebra grants to the user a non-transferable and non-exclusive license to use each software or firmware program delivered hereunder (licensed program). Except as noted below, such license may not be assigned, sublicensed, or otherwise transferred by the user without prior written consent of Zebra. No right to copy a licensed program in whole or in part is granted, except as permitted under copyright law. The user shall not modify, merge, or incorporate any form or portion of a licensed program with other program material, create a derivative work from a licensed program, or use a licensed program in a network without written permission from Zebra. The user agrees to maintain Zebra’s copyright notice on the licensed programs delivered hereunder, and to include the same on any authorized copies it makes, in whole or in part. The user agrees not to decompile, disassemble, decode, or reverse engineer any licensed program delivered to the user or any portion thereof.

Zebra reserves the right to make changes to any software or product to improve reliability, function, or design. Zebra does not assume any product liability arising out of, or in connection with, the application or use of any product, circuit, or application described herein. No license is granted, either expressly or by implication, estoppel, or otherwise under any Zebra, intellectual property rights. An implied license only exists for equipment, circuits, and subsystems contained in Zebra products.

Zebra Technologies Corporation
Lincolnshire, IL U.S.A.
www.zebra.com

Warranty

For the complete Zebra hardware product warranty statement, go to:
www.zebra.com/warranty.

Service Information

If you have a problem using the equipment, contact your facility’s Technical or Systems Support. If there is a problem with the equipment, they will contact Zebra Support at: www.zebra.com/support.

For the latest version of this guide, go to: <http://www.zebra.com/support>.

Software Support

Zebra wants to ensure that customers have the latest release of entitled software at the time of product purchase.

To confirm that your Zebra device shipped with the latest release of entitled software, visit: www.zebra.com/support. Check for the latest software from *Software Downloads > Product Line/Product > Go*.

If your device does not have the latest entitled software release as of your product purchase date, please e-mail a request to Zebra at: entitlementservices@zebra.com.

You must include the following essential device information with your request:

- Model number
- Serial number
- Proof of purchase
- Title of the software download you are requesting.

If it is determined by Zebra that your device is entitled to the latest software release, you will receive an e-mail containing a link directing you to a Zebra web site to download the appropriate software.

Introduction

The VC80 is a rugged vehicle mount computer that is designed to maximize productivity in harsh environments. The VC80 is intended for use in commercial and industrial applications with a focus on real time wireless data transactions which options suit materials handling applications in warehouses, manufacturing facilities, ports, yards, and freezers.

The VC80's compact design improves visibility and reduces safety concerns while retaining a large screen size (10.4"). Its 802.11 a/b/g/n/ac WLAN provides real-time information that improves decision making, reduces errors, and enhances productivity.

Unpacking

The following items are contained in the box:

- VC80 vehicle computer
- VC80 Quick Start Guide
- GPS antenna (for configurations with GPS only)

Carefully remove all protective material from around the device and save the shipping container for later storage and shipping.

Inspect the equipment for damage. If you are missing any equipment or if you find any damaged equipment, contact the Zebra Support Center immediately. See [Service Information on page 2](#) for contact information.

Removing Protective Film from Display

The front display of the VC80 is protected during transport by a transparent film. This film should remain on the front display during assembly to avoid damage to the front display surface. Only remove the film once all of the assembly work has been completed.

Related Documents

The following document provides more information about the VC80 vehicle computer.

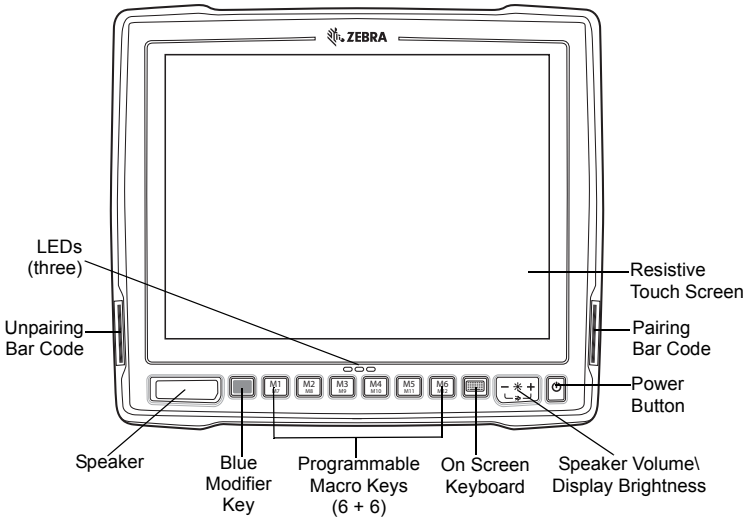
- *VC80 User Guide*, p/n MN002384Axx - provides detailed information for VC80 set up, operation, specifications and accessories.

For the latest version of this guide and all guides, go to:

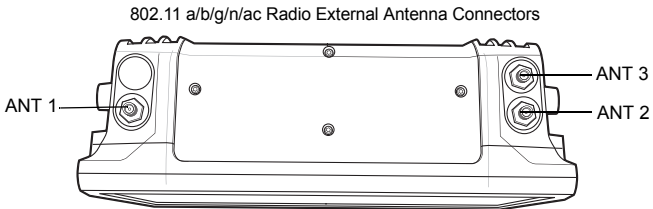
<http://www.zebra.com/support>.

Features

Front View



Top View of External WiFi Antenna



ANT 1 - Reverse Polarity SMA Jack (WLAN) / External Main WiFi Antenna

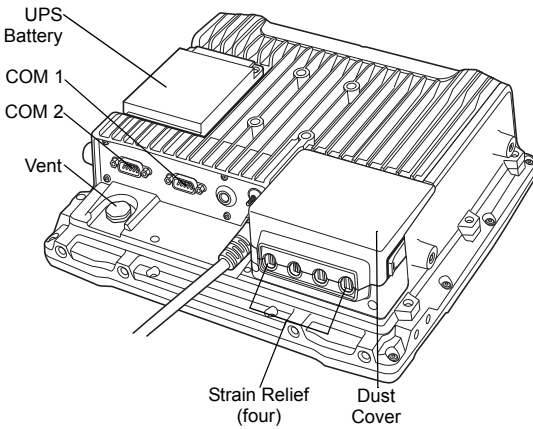
ANT 2 - Reverse Polarity SMA Jack (WLAN + BT) / External WiFi Diversity or MIMO Antenna

ANT 3 - SMA Jack (GPS)

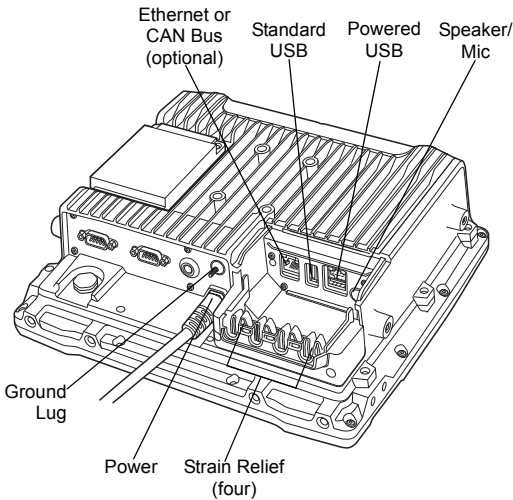
✓ **NOTE** Antenna options are dependent on the VC80 configuration. Some configurations only have internal antennas while other configurations have two or more external antenna connectors. WiFi antennas are not shipped with the VC80 and must be ordered as a separate accessory. For a complete list of configurations, refer to the *VC80 User Guide* at www.zebra.com/support.

Back View

Back View with Dust Cover



Back View without Dust Cover



Setting up the VC80 Software

To set up the VC80 software:

1. Connect the VC80 to an external power source.
2. Read applicable Microsoft Windows EULA.
 - For Windows Embedded Standard 7 OS, see [MICROSOFT SOFTWARE LICENSE TERMS WINDOWS EMBEDDED STANDARD 7 on page 12](#).
 - For Windows 7 Professional for Embedded Systems OS, see [WINDOWS 7 PROFESSIONAL FOR EMBEDDED SYSTEMS \(ALL VERSIONS\) on page 26](#).
3. Press the **Power** button to turn the VC80 On (see [Front View on page 5](#)).
4. Configure the password for VC-Admin Administrator User:
 - a. Select **Start > Control Panel > User Accounts**.
 - b. Select **Create a Password for Your Account**.
 - c. Enter new password and password hint.
 - d. Select **Create Password**.
5. Select region and language settings:
 - a. Select **Control Panel > Region and Language**.
 - b. Select **Format** to set the date and time.
 - c. Select **Location** to specify a location.
 - d. Configure **Keyboards and Languages** as required.
 - e. Select the **Administrative** tab to create additional user accounts.
6. Change the computer name:
 - a. Select **Start > Control Panel > System**.
 - b. Select **Advanced System Properties**.
 - c. Select the **Computer Name** tab and click on **Change** to enter a new computer name.
 - d. Reboot the VC80 to apply the new computer name.
7. Connect the VC80 to WLAN (see [Wireless Network Configuration on page 8](#)).
8. Edit the TekTerm terminal emulation parameters (optional).
9. Only reboot if prompted.

For detailed information, refer to the *VC80 User Guide* at www.zebra.com/support.

Optional Software for Configuring the VC80

Configure the VC80 before fastening it to machines or vehicles. The following software options are available:

- VC80 Control Panel for quick setup and configuration file management.
- TekWedge to interface with serial and Bluetooth scanners.
- My-T-Soft for on screen keyboard customization and key mapping.
- Windows Management Instrumentation (WMI) for VC control panel registry setting support. With WMI, management data may be obtained from remote computers.
- U-Center to configure GPS on VC80 configurations with GPS.

For detailed information, refer to the *VC80 User Guide* at www.zebra.com/support.

Connecting to Terminal Emulation

The VC80 supports terminal emulators such as TekTerm. To connect to a host, have the following information available:

- Alias name or IP host address
- Port number of the host system
- Emulation.

To connect to a host:

1. Ensure the mobile client network settings are correctly configured.
2. Ensure the VC80 is connected to the network if connecting via WLAN.
3. Launch the terminal emulation program.

For detailed information, refer to the *VC80 User Guide* at www.zebra.com/support.

Wireless Network Configuration

To connect to the WLAN:

1. Click on the **WiFi** icon in the system tray to display available WLAN networks.
2. Click on the desired network and select **Connect**.

For detailed information, such as applying advanced settings, refer to the *VC80 User Guide* at www.zebra.com/support.

Bluetooth

The VC80 is equipped with Bluetooth radios for communication with a variety of Bluetooth peripherals. Use the Bluetooth Control Panel to configure Bluetooth peripherals.

For detailed information, refer to the *VC80 User Guide* at www.zebra.com/support.

Programmable Keys

There are six programmable macro keys on the VC80 front bezel. When used with the **Blue Modifier Key**, six additional programmable keys are available. To map keys, use the Control Panel to assign scancodes or My-T-Soft to macro map.

For detailed information, refer to the *VC80 User Guide* at www.zebra.com/support.

Installation

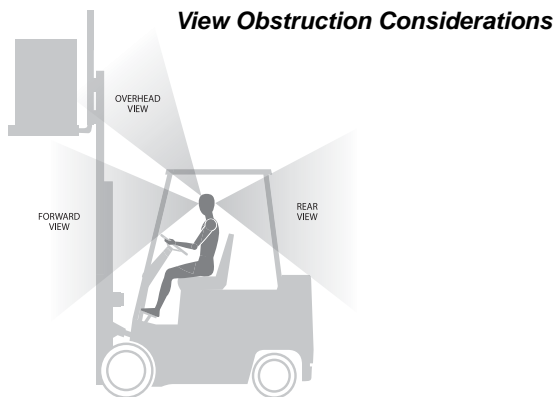


CAUTION Do not install the vehicle computer in a location that affects vehicle safety, visibility, or ability to drive.

If mounted above head height, it is recommended to also use a safety strap with the mount bracket.

Installing the VC80 on a Forklift

1. Attach the desired mount to the VC80. Refer to the *VC80 User Guide* at www.zebra.com/support for detailed mounting options and instructions.
2. Attach the mounted VC80 to the vehicle and position in a location that does not obstruct the operator's view.



3. If using an external antenna, connect antenna in a vertical position to the VC80.



CAUTION Tighten peripherals with thumbscrews by hand only. Do not use tools for tightening thumbscrews.



NOTE If installing peripherals, allow enough space when selecting a mounting location.

4. Connect peripherals to the VC80. Place the cables in the strain relief brackets inside the dust cover and replace the dust cover (see [Back View on page 6](#)).
5. Connect the VC80 to the vehicle DC supply.
6. Press the **Power** button to turn the device *On* or *Off* (see [Front View on page 5](#)).

Connect Optional Parts and Accessories

Use the VC80 connection ports to connect optional parts and accessories (see [Back View on page 6](#)).

Refer to the *VC80 User Guide* at www.zebra.com/support for a complete list of optional parts, accessories, and part numbers.

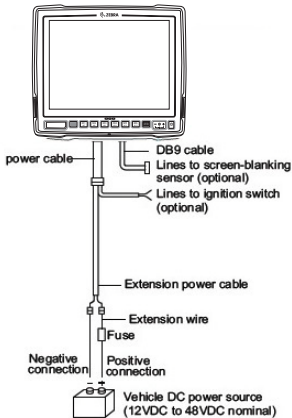
- Antenna options
- Mounting options
- Scanner holder, keyboard mounting tray, keypad side mount bracket
- Keyboard and numeric keypad
- Cables and power supplies
- Miscellaneous: speaker/microphone, screen protector, stylus.

Connecting Vehicle DC Supply

✓ **NOTE** Power adapter and extension cable requirements may vary. Refer to the *VC80 User Guide* at www.zebra.com/support for a complete list of optional parts and accessories.

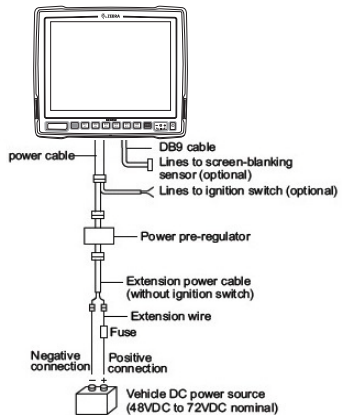
Without Power Pre-regulator

For vehicles with DC power 48V or less



With Power Pre-regulator

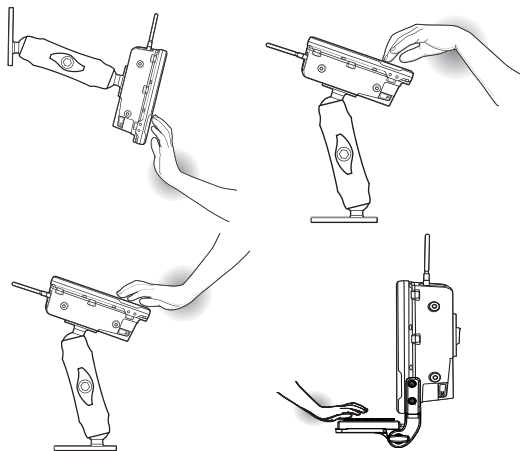
For vehicles with DC power greater than 48V



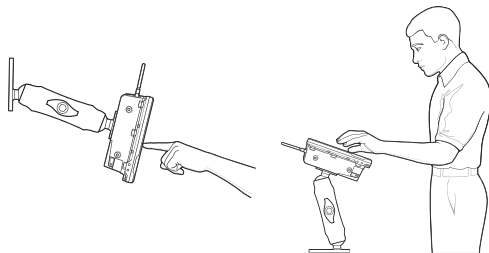
CAUTION Do not use the diode/choke assembly in the Extension Power Cable kit.

Ergonomics

Avoid Extreme Wrist Angles



Optimum Wrist Positions



MICROSOFT SOFTWARE LICENSE TERMS WINDOWS EMBEDDED STANDARD 7

These license terms are an agreement between you and Zebra Technologies Corp. Please read them. They apply to the software included on this device. The software also includes any separate media on which you received the software.

The software on this device includes software licensed from Microsoft Corporation or its affiliate. The terms also apply to any Microsoft

- Updates
- Supplements
- Internet-based services
- Support services.

for this software, unless other terms accompany those items. If so, those terms apply.

If you obtain updates or supplements directly from Microsoft, then Microsoft, and not Zebra Technologies Corp., licenses those to you.

As described below, using the software also operates as your consent to the transmission of certain computer information for Internet-based services.

By using the software, you accept these terms. If you do not accept them, do not use the software. Instead, contact Zebra Technologies Corp. to determine its return policy for a refund or credit

If you comply with these license terms, you have the rights below.

1. USE RIGHTS

Use. The software license is permanently assigned to the device with which you acquired the software. You may use the software on the device.

2. ADDITIONAL LICENSING REQUIREMENTS AND/OR USE RIGHTS

- a. Specific Use.** Zebra Technologies Corp. designed the device for a specific use. You may only use the software for that use.
- b. Other Software.** You may use other programs with the software as long as the other programs:
 - directly supports the manufacturer's specific use for the device, or
 - provide system utilities, resource management, or anti-virus or similar protection.
 - Software that provides consumer or business tasks or processes may not be run on the device. This includes email, word processing, spreadsheet, database, scheduling and personal finance software. The device may use terminal services protocols to access such software running on a server.
- c. Device Connections.** You may not use the software as server software. In other words, more than one device may not access, display, run, share or use the software at the same time.

You may use terminal services protocols to connect the device to a server running business task or processes software such as email, word processing, scheduling or spreadsheets.

You may allow up to ten other devices to access the software to use:

 - File Services
 - Print Services
 - Internet Information Services
 - Internet Connection Sharing and Telephony Services.

The ten connection limit applies to devices that access the software indirectly through "multiplexing" or other software or hardware that pools connections. You may use unlimited inbound connections at any time via TCP/IP.

- d. Remote Access Technologies.** You may access and use the software remotely from another device using remote access technologies as follows.

Remote Desktop. The single primary user of the device may access a session from any other device using Remote Desktop or similar technologies. A "session" means the experience of interacting with the software, directly or indirectly, through any combination of input, output and display peripherals. Other users may access a session from any device using these technologies, if the remote device is separately licensed to run the software.

Other Access Technologies. You may use Remote Assistance or similar technologies to share an active session.

Other Remote Uses. You may allow any number of devices to access the software for purposes other than those described in the Device Connections and Remote Access Technologies sections above, such as to synchronize data between devices.

- e. Font Components.** While the software is running, you may use its fonts to display and print content. You may only:
- embed fonts in content as permitted by the embedding restrictions in the fonts; and
 - temporarily download them to a printer or other output device to print content.
- f. Icons, images and sounds.** While the software is running, you may use but not share its icons, images, sounds, and media.
- 3. VHD BOOT.** Additional copies of the software created using the software's Virtual Hard Disk functionality ("VHD Image") may be pre-installed on the physical hard disk of the device. These VHD Images may only be used for maintaining or updating the software installed on the physical hard disk or drive. If the VHD Image is the only software on your device, it may be used as the primary operating system but all other copies of the VHD Image may only be used for maintenance and updating.
- 4. POTENTIALLY UNWANTED SOFTWARE.** The software may include Windows Defender. If Windows Defender is turned on, it will search this device for "spyware," "adware" and other potentially unwanted software. If it finds potentially unwanted software, the software will ask you if you want to ignore, disable (quarantine) or remove it. Any potentially unwanted software rated "high" or "severe," will be automatically removed after scanning unless you change the default setting. Removing or disabling potentially unwanted software may result in:
- Other software on your device ceasing to work, or
 - Your breaching a license to use other software on this device.
- By using this software, it is possible that you will also remove or disable software that is not potentially unwanted software.
- 5. SCOPE OF LICENSE.** The software is licensed, not sold. This agreement only gives you some rights to use the software. Zebra Technologies Corp. and Microsoft reserve all other rights. Unless applicable law gives you more rights despite this limitation, you may use the software only as expressly permitted in this agreement. In doing so, you must comply with any technical limitations in the software that allow you to use it only in certain ways. For more information, see the software documentation or contact Zebra Technologies Corp. You may not:
- work around any technical limitations in the software
 - reverse engineer, decompile or disassemble the software
 - make more copies of the software than specified in this agreement
 - publish the software for others to copy
 - rent, lease or lend the software; or
 - use the software for commercial software hosting services.

Except as expressly provided in this agreement, rights to access the software on this device do not give you any right to implement Microsoft patents or other Microsoft intellectual property in software or devices that access this device.

- 6. INTERNET-BASED SERVICES.** Microsoft provides Internet-based services with the software. Microsoft may change or cancel them at any time.

- a. **Consent for Internet-Based Services.** The device may contain one or more of the software features described below. These features connect to Microsoft or service provider computer systems over the Internet. In some cases, you will not receive a separate notice when they connect. For more information about these features, visit go.microsoft.com/fwlink/?linkid=104604.

By using these features, you consent to the transmission of this information.

Microsoft does not use the information to identify or contact you.

Computer Information. The following features use Internet protocols, which send to the appropriate systems computer information, such as your Internet protocol address, the type of operating system and browser, the name and version of the software you are using, and the language code of the device where you installed the software. Microsoft uses this information to make the Internet-based services available to you. Zebra Technologies Corp. has elected to turn on the following features on the device

- **Plug and Play and Plug and Play Extensions.** You may connect new hardware to your device. Your device may not have the drivers needed to communicate with that hardware. If so, the update feature of the software can obtain the correct driver from Microsoft and install it on your device.
- **Web Content Features.** Features in the software can retrieve related content from Microsoft and provide it to you. Examples of these features are clip art, templates, online training, online assistance and Appshelp. You may choose to switch them off or not use them.
- **Digital Certificates.** The software uses x.509 version 3 digital certificates. These digital certificates confirm the identity of user sending information to each other and allow you to encrypt the information. The software retrieves certificates and updates certificate revocation lists over the Internet.
- **Auto Root Update.** The Auto Root Update feature updates the list of trusted certificate authorities. You can switch off this feature.
- **Windows Media Digital Rights Management.** Content owners use Windows Media digital rights management technology (WMDRM) to protect their intellectual property, including copyrights. This software and third party software use WMDRM to play and copy WMDRM-protected content. If the software fails to protect the content, content owners may ask Microsoft to revoke the software's ability to use WMDRM to play or copy protected content. Revocation does not affect other content. When you download licenses for protected content, you agree that Microsoft may include a revocation list with the licenses. Content owners may require you to upgrade WMDRM to access their content. Microsoft software that includes WMDRM will ask for your consent prior to the upgrade. If you decline an upgrade, you will not be able to access content that requires the upgrade. You may switch off WMDRM features that access the Internet. When these features are off, you can still play content for which you have a valid license.
- **Windows Media Player.** When you use Windows Media Player, it checks with Microsoft for
 - compatible online music services in your region;
 - new versions of the player; and
 - codecs if your device does not have the correct ones for playing content.You can switch off this feature. For more information, go to: go.microsoft.com/fwlink/?LinkId=51331.
- **Malicious Software Removal/Clean On Upgrade.** Before installation of the software, the software will check and remove certain malicious software listed at www.support.microsoft.com/?kbid=890830 ("Malware") from your device. When the software checks your device for Malware, a report will be sent to Microsoft about any Malware detected or errors that occurred while the software was checking for Malware. No information that can be used to identify you is included in the report. You

may disable the software's Malware reporting functionality by following the instructions found at www.support.microsoft.com/?kbid=890830.

- **Network Awareness**. This feature determines whether a system is connected to a network by either passive monitoring of network traffic or active DNS or HTTP queries. The query only transfers standard TCP/IP or DNS information for routing purposes. You can switch off the active query feature through a registry setting.
- **Windows Time Service**. This service synchronizes with www.time.windows.com once a week to provide your I device with the correct time. The connection uses standard NTP protocol.
- **Search Suggestions Service**. In Internet Explorer, when you type a search query in the Instant Search box or type a question mark (?) before your search term in the Address bar, you will see search suggestions as you type (if supported by your search provider). Everything you type in the Instant Search box or in the Address bar when preceded by a question mark (?) is sent to your search provider as you type. Also, when you press Enter or click the Search button, the text in the Instant Search box or Address bar is sent to the search provider. If you use a Microsoft search provider, use of the information sent is subject to the Microsoft Online Privacy Statement. This statement is available at go.microsoft.com/fwlink/?linkid=31493. If you use a third-party search provider, use of the information sent will be subject to the third party's privacy practices. You can turn search suggestions off at any time. To do so, use Manage Add-ons under the Tools button in Internet Explorer. For more information about the search suggestions service, see go.microsoft.com/fwlink/?linkid=128106.
- **Consent to Update Infrared Emitter/Receiver**. The software may contain technology to ensure the proper functioning of the infrared emitter/receiver device shipped with certain Media Center-based products. You agree that the software may update the firmware of this device.
- **Media Center Online Promotions**. If you use Media Center features of the software to access Internet-based content or other Internet-based services, such services may obtain the following information from the software to enable you to receive, accept and use certain promotional offers:
 - certain device information, such as your Internet protocol address, the type of operating system and browser you are using, and the name and version of the software you are using,
 - the requested content, and
 - the language code of the device where you installed the software.
 - Your use of the Media Center features to connect to those services serves as your consent to the collection and use of such information.
- **Media Playback Updates**. The software on the device may include media playback features which receives updates directly from the MSCORP Media Playback Update servers. If activated by your manufacturer, these updates will be downloaded and installed without further notice to you. The manufacturer is responsible for ensuring these updates work on your device.
- **Windows Update Agent**. The software on the device includes Windows Update Agent ("WUA"). This feature enables your device to access Windows Updates either directly from MSCORP Windows Update server or from a server installed with the required server component and from the Microsoft Windows Update server. To enable the proper functioning of the Windows Update service in the software (if you use it) updates or downloads to the Windows Update service will be required from time to time and downloaded and installed without further notice to you. Without limiting any other disclaimer in these license terms or any license terms accompanying a Windows Update, you acknowledge and agree that no warranty is provided by Microsoft Corporation or their affiliates with respect to any Windows Update that you install or attempt to install on your device.

- b. Use of Information.** Microsoft may use the device information, error reports, and Malware reports to improve our software and services. We may also share it with others, such as hardware and software vendors. They may use the information to improve how their products run with Microsoft software.
- c. Misuse of Internet-based Services.** You may not use these services in any way that could harm them or impair anyone else's use of them. You may not use the services to try to gain unauthorized access to any service, data, account or network by any means.
- 7. PRODUCT SUPPORT.** Contact Zebra Technologies Corp. for support options. Refer to the support number provided with the device.
- 8. MICROSOFT .NET BENCHMARK TESTING.** The software includes one or more components of the .NET Framework (".NET Components"). You may conduct internal benchmark testing of those components. You may disclose the results of any benchmark test of those components, provided that you comply with the conditions set forth at go.microsoft.com/fwlink/?LinkID=66406.
Notwithstanding any other agreement you may have with Microsoft, if you disclose such benchmark test results, Microsoft shall have the right to disclose the results of benchmark tests it conducts of your products that compete with the applicable .NET Component, provided it complies with the same conditions set forth at go.microsoft.com/fwlink/?LinkID=66406.
- 9. BACKUP COPY.** You may make one backup copy of the software. You may use it only to reinstall the software on the device.
- 10. DOCUMENTATION.** Any person that has valid access to your device or internal network may copy and use the documentation for your internal, reference purposes.
- 11. PROOF OF LICENSE.** If you acquired the software on the device, or on a disc or other media, a genuine Certificate of Authenticity label with a genuine copy of the software identifies licensed software. To be valid, this label must be affixed to the device, or included on or in Zebra Technologies Corp.'s software packaging. If you receive the label separately, it is not valid. You should keep the label on the device or packaging to prove that you are licensed to use the software. To identify genuine Microsoft software, see www.howtotell.com.
- 12. TRANSFER TO A THIRD PARTY.** You may transfer the software only with the device, the Certificate of Authenticity label, and these license terms directly to a third party. Before the transfer, that party must agree that these license terms apply to the transfer and use of the software. You may not retain any copies of the software including the backup copy.
- 13. NOTICE ABOUT THE H.264/AVC VISUAL STANDARD, THE VC-1 VIDEO STANDARD, THE MPEG-4 VISUAL STANDARD AND THE MPEG-2 VIDEO STANDARD.** This software may include H.264/AVC, VC-1, MPEG-4 Part 2, and MPEG-2 visual compression technology. If the software includes those visual compression technologies MPEG LA, L.L.C. requires this notice:
THIS PRODUCT IS LICENSED UNDER ONE OR MORE VIDEO PATENT PORTFOLIO LICENSES SUCH AS, AND WITHOUT LIMITATION, THE AVC, THE VC-1, THE MPEG-4 PART 2 VISUAL, AND THE MPEG 2 VIDEO PATENT PORTFOLIO LICENSES FOR THE PERSONAL AND NON-COMMERCIAL USE OF A CONSUMER TO (i) ENCODE VIDEO IN COMPLIANCE WITH THE ABOVE STANDARDS ("VIDEO STANDARDS") AND/OR (ii) DECODE VIDEO THAT WAS ENCODED BY A CONSUMER ENGAGED IN A PERSONAL AND NON-COMMERCIAL ACTIVITY OR WAS OBTAINED FROM A VIDEO PROVIDER LICENSED TO PROVIDE VIDEO UNDER SUCH PATENT PORTFOLIO LICENSES. NONE OF THE LICENSES EXTEND TO ANY OTHER PRODUCT REGARDLESS OF WHETHER SUCH PRODUCT IS INCLUDED WITH THIS PRODUCT IN A SINGLE ARTICLE. NO LICENSE IS GRANTED OR SHALL BE IMPLIED FOR ANY OTHER USE. ADDITIONAL INFORMATION MAY BE OBTAINED FROM MPEG LA, L.L.C. SEE WWW.MPEGLA.COM.

14. **NOTICE ABOUT THE MP3 AUDIO STANDARD.** This software includes MP3 audio encoding and decoding technology as defined by ISO/IEC 11172-3 and ISO/IEC 13818-3. It is not licensed for any implementation or distribution in any commercial product or service.
15. **NOT FAULT TOLERANT.** The software is not fault tolerant. Zebra Technologies Corp. installed the software on the device and is responsible for how it operates on the device.
16. **RESTRICTED USE.** The Microsoft software was designed for systems that do not require fail-safe performance. You may not use the Microsoft software in any device or system in which a malfunction of the software would result in foreseeable risk of injury or death to any person. This includes operation of nuclear facilities, aircraft navigation or communication systems and air traffic control.
17. **NO WARRANTIES FOR THE SOFTWARE.** The software is provided "as is". You bear all risks of using it. Microsoft gives no express warranties, guarantees or conditions. Any warranties you receive regarding the device or the software do not originate from, and are not binding on, Microsoft or its affiliates. When allowed by your local laws, Zebra Technologies Corp. and Microsoft exclude implied warranties of merchantability, fitness for a particular purpose and non-infringement.
18. **LIABILITY LIMITATIONS.** You can recover from Microsoft and its affiliates only direct damages up to two hundred fifty U.S. Dollars (U.S. \$250.00). You cannot recover any other damages, including consequential, lost profits, special, indirect or incidental damages.
This limitation applies to:
 - anything related to the software, services, content (including code) on third party internet sites, or third party programs, and
 - claims for breach of contract, breach of warranty, guarantee or condition, strict liability, negligence, or other tort to the extent permitted by applicable law.It also applies even if Microsoft should have been aware of the possibility of the damages. The above limitation may not apply to you because your country may not allow the exclusion or limitation of incidental, consequential or other damages.
19. **EXPORT RESTRICTIONS.** The software is subject to United States export laws and regulations. You must comply with all domestic and international export laws and regulations that apply to the software. These laws include restrictions on destinations, end users and end use. For additional information, see www.microsoft.com/exporting.
20. **ENTIRE AGREEMENT.** This agreement, additional terms (including any printed-paper license terms that accompany the software and may modify or replace some or all of these terms), and the terms for supplements, updates, Internet-based services and support services that you use, are the entire agreement for the software and support services.
21. **APPLICABLE LAW**
 - a. **United States.** If you acquired the software in the United States, Washington state law governs the interpretation of this agreement and applies to claims for breach of it, regardless of conflict of laws principles. The laws of the state where you live govern all other claims, including claims under state consumer protection laws, unfair competition laws, and in tort.
 - b. **Outside the United States.** If you acquired the software in any other country, the laws of that country apply.
22. **Third Party Programs.** Microsoft provides the following copyright notices for third party software included in the software. These notices are required by the respective copyright holders and do not change your license to use this software.

Portions of this software are based in part on the work of Spider Systems® Limited. Because Microsoft has included the Spider Systems Limited software in this product, Microsoft is required to include the following text that accompanied such software:

Copyright 1987 Spider Systems Limited
Copyright 1988 Spider Systems Limited
Copyright 1990 Spider Systems Limited

Portions of this software are based in part on the work of Seagate Software.

Portions of this software are based in part on the work of ACE*COMM Corp. Because Microsoft has included the ACE*COMM Corp. software in this product, Microsoft is required to include the following text that accompanied such software:

Copyright 1995-1997 ACE*COMM Corp

Portions of this software are based in part on the work of Sam Leffler and Silicon Graphics, Inc. Because Microsoft has included the Sam Leffler and Silicon Graphics software in this product, Microsoft is required to include the following text that accompanied such software:

Copyright © 1988-1997 Sam Leffler

Copyright © 1991-1997 Silicon Graphics, Inc.

Permission to use, copy, modify, distribute, and sell this software and its documentation for any purpose is hereby granted without fee, provided that (i) the above copyright notices and this permission notice appear in all copies of the software and related documentation, and (ii) the names of Sam Leffler and Silicon Graphics may not be used in any advertising or publicity relating to the software without the specific, prior written permission of Sam Leffler and Silicon Graphics.

THE SOFTWARE IS PROVIDED "AS-IS" AND WITHOUT WARRANTY OF ANY KIND, EXPRESS, IMPLIED OR OTHERWISE, INCLUDING WITHOUT LIMITATION, ANY WARRANTY OF MERCHANTABILITY OR FITNESS FOR A PARTICULAR PURPOSE. IN NO EVENT SHALL SAM LEFFLER OR SILICON GRAPHICS BE LIABLE FOR ANY SPECIAL, INCIDENTAL, INDIRECT OR CONSEQUENTIAL DAMAGES OF ANY KIND, OR ANY DAMAGES WHATSOEVER RESULTING FROM LOSS OF USE, DATA OR PROFITS, WHETHER OR NOT ADVISED OF THE POSSIBILITY OF DAMAGE, AND ON ANY THEORY OF LIABILITY, ARISING OUT OF OR IN CONNECTION WITH THE USE OR PERFORMANCE OF THIS SOFTWARE.

Portions Copyright © 1998 PictureTel Corporation

Portions of this software are based in part on the work of Highground Systems. Because Microsoft has included the Highground Systems software in this product, Microsoft is required to include the following text that accompanied such software:

Copyright © 1996-1999 Highground Systems

Windows 7 incorporates compression code from the Info-ZIP group. There are no extra charges or costs due to the use of this code, and the original compression sources are freely available from www.info-zip.org/ or <ftp://ftp.info-zip.org/pub/infozip/src/> on the Internet.

Portions Copyright © 2000 SRS Labs, Inc

This product includes software from the 'zlib' general purpose compression library.

Portions of this software are based in part on the work of ScanSoft, Inc. Because Microsoft has included the ScanSoft, Inc. software in this product, Microsoft is required to include the following text that accompanied such software:

TextBridge® OCR © by ScanSoft, Inc.

Portions of this software are based in part on the work of University of Southern California. Because Microsoft has included the University of Southern California software in this product, Microsoft is required to include the following text that accompanied such software

Copyright © 1996 by the University of Southern California

All rights reserved.

Permission to use, copy, modify, and distribute this software and its documentation in source and binary forms for any purpose and without fee is hereby granted, provided that both the above copyright notice and this permission notice appear in all copies, and that any documentation, advertising materials, and other materials related to such distribution and use acknowledge that the software was developed in part by the University of Southern California, Information Sciences Institute. The name of the University may not be used to endorse or promote products derived from this software without specific prior written permission.

THE UNIVERSITY OF SOUTHERN CALIFORNIA makes no representations about the suitability of this software for any purpose. THIS SOFTWARE IS PROVIDED "AS IS" AND WITHOUT ANY EXPRESS OR IMPLIED WARRANTIES, INCLUDING, WITHOUT LIMITATION, THE IMPLIED WARRANTIES OF MERCHANTABILITY AND FITNESS FOR A PARTICULAR PURPOSE.

Other copyrights might apply to parts of this software and are so noted when applicable.

Portions of this software are based in part on the work of James Kanze. Because Microsoft has included the James Kanze software in this product, Microsoft is required to include the following text that accompanied such software:

COPYRIGHT AND PERMISSION NOTICE

All rights reserved.

Permission is hereby granted, free of charge, to any person obtaining a copy of this software and associated documentation files (the "Software"), to deal in the Software without restriction, including without limitation the rights to use, copy, publish, distribute, and/or sell copies of the Software, and to permit persons to whom the Software is furnished to do so, provided that the above copyright notice(s) and this permission notice appear in all copies of the Software and that both the above copyright notice(s) and this permission notice appear in supporting documentation. Permission is also given to modify the software to any extent, under the condition that, in the modified software, the prefix "GB_" is changed to something else, and the name directories for includes files ("gb" in this distribution) is also changed.

THE SOFTWARE IS PROVIDED "AS IS", WITHOUT WARRANTY OF ANY KIND, EXPRESS OR IMPLIED, INCLUDING BUT NOT LIMITED TO THE WARRANTIES OF MERCHANTABILITY, FITNESS FOR A PARTICULAR PURPOSE AND NONINFRINGEMENT OF THIRD PARTY RIGHTS. IN NO EVENT SHALL THE COPYRIGHT HOLDER OR HOLDERS INCLUDED IN THIS NOTICE BE LIABLE FOR ANY CLAIM, OR ANY SPECIAL INDIRECT OR CONSEQUENTIAL DAMAGES, OR ANY DAMAGES WHATSOEVER RESULTING FROM LOSS OF USE, DATA OR PROFITS, WHETHER IN AN ACTION OF CONTRACT, NEGLIGENCE OR OTHER TORTIOUS ACTION, ARISING OUT OF OR IN CONNECTION WITH THE USE OR PERFORMANCE OF THIS SOFTWARE.

Except as contained in this notice, the name of a copyright holder shall not be used in advertising or otherwise to promote the sale, use or other dealings in this Software without prior written authorization of the copyright holder.

This product contains software from Cisco ISAKMP Services.

Portions of this software are based in part on the work of RSA Data Security, Inc. Because Microsoft has included the RSA Data Security, Inc. software in this product, Microsoft is required to include the following text that accompanied such software:

Copyright © 1990, RSA Data Security, Inc. All rights reserved.

License to copy and use this software is granted provided that it is identified as the "RSA Data Security, Inc. MD5 Message-Digest Algorithm" in all material mentioning or

referencing this software or this function. License is also granted to make and use derivative works provided that such works are identified as "derived from the RSA Data Security, Inc. MD5 Message-Digest Algorithm" in all material mentioning or referencing the derived work.

RSA Data Security, Inc. makes no representations concerning either the merchantability of this software or the suitability of this software for any particular purpose. It is provided "as is" without express or implied warranty of any kind.

These notices must be retained in any copies of any part of this documentation and/or software.

Portions of this software are based in part on the work of OpenVision Technologies, Inc. Because Microsoft has included the OpenVision Technologies, Inc. software in this product, Microsoft is required to include the following text that accompanied such software:

Copyright 1993 by OpenVision Technologies, Inc.

Permission to use, copy, modify, distribute, and sell this software and its documentation for any purpose is hereby granted without fee, provided that the above copyright notice appears in all copies and that both that copyright notice and this permission notice appear in supporting documentation, and that the name of OpenVision not be used in advertising or publicity pertaining to distribution of the software without specific, written prior permission. OpenVision makes no representations about the suitability of this software for any purpose. It is provided "as is" without express or implied warranty.

OPENVISION DISCLAIMS ALL WARRANTIES WITH REGARD TO THIS SOFTWARE, INCLUDING ALL IMPLIED WARRANTIES OF MERCHANTABILITY AND FITNESS, IN NO EVENT SHALL OPENVISION BE LIABLE FOR ANY SPECIAL, INDIRECT OR CONSEQUENTIAL DAMAGES OR ANY DAMAGES WHATSOEVER RESULTING FROM LOSS OF USE, DATA OR PROFITS, WHETHER IN AN ACTION OF CONTRACT, NEGLIGENCE OR OTHER TORTIOUS ACTION, ARISING OUT OF OR IN CONNECTION WITH THE USE OR PERFORMANCE OF THIS SOFTWARE.

Portions of this software are based in part on the work of Regents of The University of Michigan. Because Microsoft has included the Regents of The University of Michigan software in this product, Microsoft is required to include the following text that accompanied such software:

Copyright © 1995, 1996 Regents of The University of Michigan.

All Rights Reserved.

Permission to use, copy, modify, and distribute this software and its documentation for any purpose and without fee is hereby granted, provided that the above copyright notice appears in all copies and that both that copyright notice and this permission notice appear in supporting documentation, and that the name of The University of Michigan not be used in advertising or publicity pertaining to distribution of the software without specific, written prior permission. This software is supplied as is without expressed or implied warranties of any kind.

Copyright © 1993, 1994 Regents of the University of Michigan.

All rights reserved.

Redistribution and use in source and binary forms are permitted provided that this notice is preserved and that due credit is given to the University of Michigan at Ann Arbor. The name of the University may not be used to endorse or promote products derived from this software without specific prior written permission. This software is provided "as is" without express or implied warranty.

Portions of this software are based in part on the work of Massachusetts Institute of Technology. Because Microsoft has included the Massachusetts Institute of Technology software in this product, Microsoft is required to include the following text that accompanied such software:

Copyright 1989, 1990 by the Massachusetts Institute of Technology. All Rights Reserved.

Export of this software from the United States of America may require a specific license from the United States Government. It is the responsibility of any person or organization contemplating export to obtain such a license before exporting.

WITHIN THAT CONSTRAINT, permission to use, copy, modify, and distribute this software and its documentation for any purpose and without fee is hereby granted, provided that the above copyright notice appear in all copies and that both that copyright notice and this permission notice appear in supporting documentation, and that the name of M.I.T. not be used in advertising or publicity pertaining to distribution of the software without specific, written prior permission. M.I.T. makes no representations about the suitability of this software for any purpose. It is provided "as is" without express or implied warranty. Under U.S. law, this software may not be exported outside the US without license from the U.S. Commerce department.

Copyright 1994 by the Massachusetts Institute of Technology. All Rights Reserved.

Export of this software from the United States of America may require a specific license from the United States Government. It is the responsibility of any person or organization contemplating export to obtain such a license before exporting.

WITHIN THAT CONSTRAINT, permission to use, copy, modify, and distribute this software and its documentation for any purpose and without fee is hereby granted, provided that the above copyright notice appear in all copies and that both that copyright notice and this permission notice appear in supporting documentation, and that the name of M.I.T. not be used in advertising or publicity pertaining to distribution of the software without specific, written prior permission. M.I.T. makes no representations about the suitability of this software for any purpose. It is provided "as is" without express or implied warranty.

This product includes software developed by the University of California, Berkeley and its contributors.

Portions of this software are based in part on the work of the "Entrust" security technology licensed from Northern Telecom.

Portions of this software are based in part on the work of Hewlett-Packard Company. Because Microsoft has included the Hewlett-Packard Company software in this product, Microsoft is required to include the following text that accompanied such software:

Copyright © 1994 Hewlett-Packard Company

Permission to use, copy, modify, distribute and sell this software and its documentation for any purpose is hereby granted without fee, provided that the above copyright notice appear in all copies and that both that copyright notice and this permission notice appear in supporting documentation. Hewlett-Packard Company and Microsoft Corporation make no representations about the suitability of this software for any purpose. It is provided "as is" without express or implied warranty.

This product includes software from the 'libpng' PNG reference library.

Portions of this software are based in part on the work of Autodesk, Inc. Because Microsoft has included the Autodesk, Inc. software in this product, Microsoft is required to include the following text that accompanied such software:

© Copyright 1995 by Autodesk, Inc.

This product contains graphics filter software; this software is based in part on the work of the Independent JPEG Group.

This product includes "True Verb" technology from KS Waves Ltd.

Portions of this software are based in part on the work of SGS-Thomson Microelectronics, Inc. Because Microsoft has included the SGS-Thomson Microelectronics, Inc. software in this product, Microsoft is required to include the following text that accompanied such software:

Copyright 1996 SGS-Thomson Microelectronics, Inc. All Rights Reserved

Portions of this software are based in part on the work of Unicode, Inc. Because Microsoft has included the Unicode, Inc. software in this product, Microsoft is required to include the following text that accompanied such software:

COPYRIGHT AND PERMISSION NOTICE

Copyright © 1991-2005 Unicode, Inc. All rights reserved. Distributed under the Terms of Use in www.unicode.org/copyright.html.

Permission is hereby granted, free of charge, to any person obtaining a copy of the Unicode data files and any associated documentation (the "Data Files") or Unicode software and any associated documentation (the "Software") to deal in the Data Files or Software without restriction, including without limitation the rights to use, copy, modify, merge, publish, distribute, and/or sell copies of the Data Files or Software, and to permit persons to whom the Data Files or Software are furnished to do so, provided that (a) the above copyright notice(s) and this permission notice appear with all copies of the Data Files or Software, (b) both the above copyright notice(s) and this permission notice appear in associated documentation, and © there is clear notice in each modified Data File or in the Software as well as in the documentation associated with the Data File(s) or Software that the data or software has been modified.

THE DATA FILES AND SOFTWARE ARE PROVIDED "AS IS", WITHOUT WARRANTY OF ANY KIND, EXPRESS OR IMPLIED, INCLUDING BUT NOT LIMITED TO THE WARRANTIES OF MERCHANTABILITY, FITNESS FOR A PARTICULAR PURPOSE AND NONINFRINGEMENT OF THIRD PARTY RIGHTS. IN NO EVENT SHALL THE COPYRIGHT HOLDER OR HOLDERS INCLUDED IN THIS NOTICE BE LIABLE FOR ANY CLAIM, OR ANY SPECIAL INDIRECT OR CONSEQUENTIAL DAMAGES, OR ANY DAMAGES WHATSOEVER RESULTING FROM LOSS OF USE, DATA OR PROFITS, WHETHER IN AN ACTION OF CONTRACT, NEGLIGENCE OR OTHER TORTIOUS ACTION, ARISING OUT OF OR IN CONNECTION WITH THE USE OR PERFORMANCE OF THE DATA FILES OR SOFTWARE.

Except as contained in this notice, the name of a copyright holder shall not be used in advertising or otherwise to promote the sale, use or other dealings in these Data Files or Software without prior written authorization of the copyright holder.

The Combined PostScript Driver was the result of a cooperative development process by Adobe Systems Incorporated and Microsoft Corporation.

Portions of this software are based in part on the work of Media Cybernetics. Because Microsoft has included the Media Cybernetics software in this product, Microsoft is required to include the following text that accompanied such software:

HALO Image File Format Library © 1991-1992 Media Cybernetics, Inc.

Portions of this software are based in part on the work of Luigi Rizzo. Because Microsoft has included the Luigi Rizzo software in this product, Microsoft is required to include the following text that accompanied such software:

© 1997-98 Luigi Rizzo (luigi@iet.unipi.it)

Portions derived from code by Phil Karn (karn@ka9q.ampr.org), Robert Morelos-Zaragoza (robert@spectra.eng.hawaii.edu) and Hari Thirumorthy (harit@spectra.eng.hawaii.edu), Aug 1995

Redistribution and use in source and binary forms, with or without modification, are permitted provided that the following conditions are met:

1. Redistributions of source code must retain the above copyright notice, this list of conditions and the following disclaimer.
2. Redistributions in binary form must reproduce the above copyright notice, this list of conditions and the following disclaimer in the documentation and/or other materials provided with the distribution.

THIS SOFTWARE IS PROVIDED BY THE AUTHORS "AS IS" AND ANY EXPRESS OR IMPLIED WARRANTIES, INCLUDING, BUT NOT LIMITED TO, THE IMPLIED WARRANTIES OF MERCHANTABILITY AND FITNESS FOR A PARTICULAR PURPOSE ARE DISCLAIMED. IN NO EVENT SHALL THE AUTHORS BE LIABLE FOR ANY DIRECT, INDIRECT, INCIDENTAL, SPECIAL, EXEMPLARY, OR CONSEQUENTIAL DAMAGES (INCLUDING, BUT NOT LIMITED TO, PROCUREMENT OF SUBSTITUTE GOODS OR SERVICES; LOSS OF USE, DATA, OR PROFITS; OR BUSINESS INTERRUPTION) HOWEVER CAUSED AND ON ANY THEORY OF LIABILITY, WHETHER IN CONTRACT, STRICT LIABILITY, OR TORT (INCLUDING NEGLIGENCE OR OTHERWISE) ARISING IN ANY WAY OUT OF THE USE OF THIS SOFTWARE, EVEN IF ADVISED OF THE POSSIBILITY OF SUCH DAMAGE.

Portions of this software are based in part on the work of W3C. Because Microsoft has included the W3C software in this product, Microsoft is required to include the following text that accompanied such software:

W3C © SOFTWARE NOTICE AND LICENSE

www.w3.org/Consortium/Legal/2002/copyright-software-20021231

This work (and included software, documentation such as READMEs, or other related items) is being provided by the copyright holders under the following license. By obtaining, using and/or copying this work, you (the licensee) agree that you have read, understood, and will comply with the following terms and conditions.

Permission to copy, modify, and distribute this software and its documentation, with or without modification, for any purpose and without fee or royalty is hereby granted, provided that you include the following on ALL copies of the software and documentation or portions thereof, including modifications:

1. The full text of this NOTICE in a location viewable to users of the redistributed or derivative work.
 2. Any pre-existing intellectual property disclaimers, notices, or terms and conditions. If none exist, the W3C Software Short Notice should be included (hypertext is preferred, text is permitted) within the body of any redistributed or derivative code.
 3. Notice of any changes or modifications to the files, including the date changes were made. (We recommend you provide URLs to the location from which the code is derived.)
- THIS SOFTWARE AND DOCUMENTATION IS PROVIDED "AS IS," AND COPYRIGHT HOLDERS MAKE NO REPRESENTATIONS OR WARRANTIES, EXPRESS OR IMPLIED, INCLUDING BUT NOT LIMITED TO, WARRANTIES OF MERCHANTABILITY OR FITNESS FOR ANY PARTICULAR PURPOSE OR THAT THE USE OF THE SOFTWARE OR DOCUMENTATION WILL NOT INFRINGE ANY THIRD PARTY PATENTS, COPYRIGHTS, TRADEMARKS OR OTHER RIGHTS. COPYRIGHT HOLDERS WILL NOT BE LIABLE FOR ANY DIRECT, INDIRECT, SPECIAL OR CONSEQUENTIAL DAMAGES ARISING OUT OF ANY USE OF THE SOFTWARE OR DOCUMENTATION.

The name and trademarks of copyright holders may NOT be used in advertising or publicity pertaining to the software without specific, written prior permission. Title to copyright in this software and any associated documentation will at all times remain with copyright holders.

Portions of this software are based in part on the work of Sun Microsystems, Inc. Because Microsoft has included the Sun Microsystems, Inc. software in this product, Microsoft is required to include the following text that accompanied such software:

Sun RPC is a product of Sun Microsystems, Inc. and is provided for unrestricted use provided that this legend is included on all tape media and as a part of the software program in whole or part. Users may copy or modify Sun RPC without charge, but are not authorized to license or distribute it to anyone else except as part of a product or program developed by the user.

SUN RPC IS PROVIDED AS IS WITH NO WARRANTIES OF ANY KIND INCLUDING THE WARRANTIES OF DESIGN, MERCHANTABILITY AND FITNESS FOR A PARTICULAR PURPOSE, OR ARISING FROM A COURSE OF DEALING, USAGE OR TRADE PRACTICE.

Sun RPC is provided with no support and without any obligation on the part of Sun Microsystems, Inc. to assist in its use, correction, modification or enhancement.

SUN MICROSYSTEMS, INC. SHALL HAVE NO LIABILITY WITH RESPECT TO THE INFRINGEMENT OF COPYRIGHTS, TRADE SECRETS OR ANY PATENTS BY SUN RPC OR ANY PART THEREOF.

In no event will Sun Microsystems, Inc. be liable for any lost revenue or profits or other special, indirect and consequential damages, even if Sun has been advised of the possibility of such damages.

Sun Microsystems, Inc.
2550 Garcia Avenue
Mountain View, California 94043

Manufactured under license from Dolby Laboratories. "Dolby" and the double-D symbol are trademarks of Dolby Laboratories. Confidential unpublished works. Copyright 1992-1997 Dolby Laboratories. All rights reserved.

Portions of this software are based in part on the work of Andrei Alexandrescu. Because Microsoft has included the Andrei Alexandrescu software in this product, Microsoft is required to include the following text that accompanied such software:

The Loki Library

Copyright © 2001 by Andrei Alexandrescu

This code accompanies the book:

Alexandrescu, Andrei. "Modern C++ Design: Generic Programming and Design Patterns Applied." Copyright © 2001. Addison-Wesley.

Permission to use, copy, modify, distribute and sell this software for any purpose is hereby granted without fee, provided that the above copyright notice appear in all copies and that both that copyright notice and this permission notice appear in supporting documentation. The author or Addison-Wesley Longman make no representations about the suitability of this software for any purpose. It is provided "as is" without express or implied warranty.

Portions Copyright © 1995 by Jeffrey Richter

Portions of this software are based in part on the work of the Distributed Management Task Force, Inc. (DMTF). Because Microsoft has included software based on DMTF specifications in this product, Microsoft is required to include the following text:

Copyright © 2007 Distributed Management Task Force, Inc. (DMTF). All rights reserved.

Portions of this work are derived from "The Draft Standard C++ Library" Copyright © 1995 by P.J. Plauger published by Prentice-Hall and are used with permission.

Portions of this software are based in part on the work of Hewlett-Packard Company. Because Microsoft has included the Hewlett-Packard Company software in this product, Microsoft is required to include the following text that accompanied such software:

Copyright © 2002, 2003 Hewlett-Packard Company.

About Notice:

This software is based on software available from mpvtools.sourceforge.net.

This software processes a format called MPV. MPV is an open specification for managing collections and multimedia playlists of photo, video, and music content and associated metadata and is available at no cost from the Optical Storage Technology Association.

More information about the MPV specification can be found at www.osta.org/mpv.

Permission Notice:

Permission is hereby granted, free of charge, to any person obtaining a copy of this software and associated documentation files (the "Software"), to deal in the Software without restriction, including without limitation the rights to use, copy, modify, merge, publish, distribute, sublicense, and/or sell copies of the Software, and to permit persons to whom the Software is furnished to do so, subject to the following conditions:

The above copyright notice, this permission notice, and the above About Notice shall be included in all copies or substantial portions of the Software.

THE SOFTWARE IS PROVIDED "AS IS", WITHOUT WARRANTY OF ANY KIND, EXPRESS OR IMPLIED, INCLUDING BUT NOT LIMITED TO THE WARRANTIES OF MERCHANTABILITY, FITNESS FOR A PARTICULAR PURPOSE AND NONINFRINGEMENT. IN NO EVENT SHALL THE AUTHORS OR COPYRIGHT HOLDERS BE LIABLE FOR ANY CLAIM, DAMAGES OR OTHER LIABILITY, WHETHER IN AN ACTION OF CONTRACT, TORT OR OTHERWISE, ARISING FROM, OUT OF OR IN CONNECTION WITH THE SOFTWARE OR THE USE OR OTHER DEALINGS IN THE SOFTWARE.

Except as contained in this notice, the name of a copyright holder shall not be used in advertising or otherwise to promote the sale, use or other dealings in this Software without prior written authorization of the copyright holder.

All other trademarks are property of their respective owners.

MICROSOFT SOFTWARE LICENSE TERMS WINDOWS 7 ULTIMATE FOR EMBEDDED SYSTEMS WINDOWS 7 PROFESSIONAL FOR EMBEDDED SYSTEMS (ALL VERSIONS)

These license terms are an agreement between you and Zebra Technologies Corp. Please read them. They apply to the software included on this device. The software also includes any separate media on which you received the software.

The software on this device includes software licensed from Microsoft Corporation or its affiliate.

The terms also apply to any Microsoft

- updates
- supplements
- Internet-based services
- support services

for this software, unless other terms accompany those items. If so, those terms apply.

If you obtain updates or supplements directly from Microsoft, then Microsoft, and not Zebra Technologies Corp., licenses those to you.

As described below, using the software also operates as your consent to the transmission of certain computer information for Internet-based services.

By using the software, you accept these terms. If you do not accept them, do not use the software. Instead, contact Zebra Technologies Corp. to determine its return policy for a refund or credit.

If you comply with these license terms, you have the rights below.

1. OVERVIEW.

- a. Software.** The software includes desktop operating system software. This software does not include Windows Live services. Windows Live services are available from Microsoft under a separate agreement.

2. USE RIGHTS.

- a. Use.** The software license is permanently assigned to the device with which you acquired the software. That device is the "licensed device". You may use the software on the licensed device.
- b. Processor Limit.** You may use the software with no more than two processors at any one time.
- c. Alternative Versions.** You may only use the version of the software that is installed on the licensed device. You may not change it to any other version (such as the 32-bit or 64-bit version, or another language version).

3. ADDITIONAL LICENSING REQUIREMENTS AND/OR USE RIGHTS.

- a. Specific Use.** Zebra Technologies Corp. designed the licensed device for a specific use. You may only use the software for that use.
- b. Other Software.** You may use other programs with the software as long as the other programs
- directly support the specific use for the licensed device, or
 - provide system utilities, resource management, or anti-virus or similar protection.
- Software that provides consumer or business tasks or processes may not run on the licensed device. This includes email, word processing, spreadsheet, database, scheduling and personal finance software. The licensed device may use terminal services protocols to access such software running on a server.
- c. Device Connections.** You may not use the software as server software. In other words, more than one device may not access, display, run, share or use the software at the same time. You may allow up to twenty other devices to access the software to use:
- File Services
 - Print Services

- Internet Information Services, and
- Internet Connection Sharing and Telephony Services.

The twenty connection limit applies to devices that access the software indirectly through "multiplexing" or other software or hardware that pools connections. You may use unlimited inbound connections at any time via TCP/IP.

d. Remote Access Technologies. You may access and use the software remotely from another device using remote access technologies as follows.

Remote Desktop. The single primary user of the licensed device may access a session from any other device using Remote Desktop or similar technologies. A "session" means the experience of interacting with the software, directly or indirectly, through any combination of input, output and display peripherals. Other users may access a session from any device using these technologies, if the remote device is separately licensed to run the software.

Other Access Technologies. You may use Remote Assistance or similar technologies to share an active session.

Other Remote Uses. You may allow any number of devices to access the software for purposes other than those described in the Device Connections and Remote Access Technologies sections above, such as to synchronize data between devices.

e. Font Components. While the software is running, you may use its fonts to display and print content. You may only:

- embed fonts in content as permitted by the embedding restrictions in the fonts; and
- temporarily download them to a printer or other output device to print content.

f. Icons, images and sounds. While the software is running, you may use but not share its icons, images, sounds, and media.

4. POTENTIALLY UNWANTED SOFTWARE. The software includes Windows Defender. If Windows Defender is turned on, it will search this device for "spyware," "adware" and other potentially unwanted software. If it finds potentially unwanted software, the software will ask you if you want to ignore, disable (quarantine) or remove it. Any potentially unwanted software rated "high" or "severe," will be automatically removed after scanning unless you change the default setting. Removing or disabling potentially unwanted software may result in:

- other software on your computer ceasing to work, or
- your breaching a license to use other software on this device.

By using this software, it is possible that you will also remove or disable software that is not potentially unwanted software.

5. SCOPE OF LICENSE. The software is licensed, not sold. This agreement only gives you some rights to use the software. Zebra Technologies Corp. and Microsoft reserve all other rights. Unless applicable law gives you more rights despite this limitation, you may use the software only as expressly permitted in this agreement. In doing so, you must comply with any technical limitations in the software that allow you to use it only in certain ways. For more information, see the software documentation or contact Zebra Technologies Corp. You may not:

- work around any technical limitations in the software;
- reverse engineer, decompile or disassemble the software;
- make more copies of the software than specified in this agreement;
- publish the software for others to copy;
- rent, lease or lend the software; or
- use the software for commercial software hosting services.

Except as expressly provided in this agreement, rights to access the software on this device do not give you any right to implement Microsoft patents or other Microsoft intellectual property in software or devices that access this device.

- **INTERNET-BASED SERVICES.** Microsoft provides Internet-based services with the software. Microsoft may change or cancel them at any time.

a. Consent for Internet-Based Services. The licensed device may contain one or more of the software features described below. These features connect to Microsoft or service provider computer systems over the Internet. In some cases, you will not receive a separate notice when they connect. For more information about these features, visit: go.microsoft.com/fwlink/?linkid=104604.

By using these features, you consent to the transmission of this information.

Microsoft does not use the information to identify or contact you.

Computer Information. The following features use Internet protocols, which send to the appropriate systems computer information, such as your Internet protocol address, the type of operating system and browser, and the name and version of the software you are using. Microsoft uses this information to make the Internet-based services available to you. Zebra Technologies Corp. has elected to turn on the following features in the licensed device.

Plug and Play and Plug and Play Extensions. You may connect new hardware to your device. Your device may not have the drivers needed to communicate with that hardware. If so, the update feature of the software can obtain the correct driver from Microsoft and install it on your device.

Web Content Features. Features in the software can retrieve related content from Microsoft and provide it to you. Examples of these features are clip art, templates, online training, online assistance and Appshelp. You may choose not to use these web content features.

Digital Certificates. The software uses x.509 version 3 digital certificates. These digital certificates confirm the identity of users sending information to each other and allow you to encrypt the information. The software retrieves certificates and updates certificate revocation lists over the Internet.

Auto Root Update. The Auto Root Update feature updates the list of trusted certificate authorities. You can switch off this feature.

Windows Media Digital Rights Management. Content owners use Windows Media digital rights management technology (WMDRM) to protect their intellectual property, including copyrights. This software and third party software use WMDRM to play and copy WMDRM-protected content. If the software fails to protect the content, content owners may ask Microsoft to revoke the software's ability to use WMDRM to play or copy protected content. Revocation does not affect other content. When you download licenses for protected content, you agree that Microsoft may include a revocation list with the licenses. Content owners may require you to upgrade WMDRM to access their content. Microsoft software that includes WMDRM will ask for your consent prior to the upgrade. If you decline an upgrade, you will not be able to access content that requires the upgrade. You may switch off WMDRM features that access the Internet. When these features are off, you can still play content for which you have a valid license.

Windows Media Player. When you use Windows Media Player, it checks with Microsoft for:

- compatible online music services in your region;
- new versions of the player; and
- codecs if your device does not have the correct ones for playing content.

For more information, go to: go.microsoft.com/fwlink/?linkid=104605.

Malicious Software Removal/Clean On Upgrade. Before installation of the software, the software will check and remove certain malicious software listed at www.support.microsoft.com/?kbid=890830 ("Malware") from your device. When the software checks your device for Malware, a report will be sent to Microsoft about any Malware detected or errors that occurred while the software was checking for Malware. No information that can be used to identify you is included in the report.

Network Awareness. This feature determines whether a system is connected to a network by either passive monitoring of network traffic or active DNS or HTTP queries. The query only transfers standard TCP/IP or DNS information for routing purposes. You

can switch off the active query feature through a registry setting.

Windows Time Service. This service synchronizes with www.time.windows.com once a week to provide your computer with the correct time. The connection uses standard NTP protocol.

- b. Use of Information.** Microsoft may use the computer information, error reports, and Malware reports to improve our software and services. We may also share it with others, such as hardware and software vendors. They may use the information to improve how their products run with Microsoft software.
- c. Misuse of Internet-based Services.** You may not use these services in any way that could harm them or impair anyone else's use of them. You may not use the services to try to gain unauthorized access to any service, data, account or network by any means.

6. VALIDATION.

- a.** Validation verifies that the software has been activated and is properly licensed. It also verifies that no unauthorized changes have been made to the validation, licensing, or activation functions of the software. Validation may also check for certain malicious or unauthorized software related to such unauthorized changes. A validation check confirming that you are properly licensed, permits you to continue to use the software, certain features of the software or to obtain additional benefits. **You are not permitted to circumvent validation.** This is to prevent unlicensed use of the software. For more information, see go.microsoft.com/fwlink/?Linkid=104610.
- b.** The software will from time to time perform a validation check of the software. The check may be initiated by the software or Microsoft. To enable the activation function and validation checks, the software may from time to time require updates or additional downloads of the validation, licensing or activation functions of the software. The updates or downloads are required for the proper functioning of the software and may be downloaded and installed without further notice to you. During or after a validation check, the software may send information about the software, the computer and the results of the validation check to Microsoft. This information includes, for example, the version and product key of the software, any unauthorized changes made to the validation, licensing or activation functions of the software, any related malicious or unauthorized software found and the Internet protocol address of the computer. Microsoft does not use the information to identify or contact you. By using the software, you consent to the transmission of this information. For more information about validation and what is sent during or after a validation check, see go.microsoft.com/fwlink/?Linkid=104611.
- c.** If, after a validation check, the software is found to be counterfeit, improperly licensed, or a non-genuine Windows product, or if it includes unauthorized changes, then the functionality and experience of using the software will be affected. For example: Microsoft may
 - repair the software, and remove, quarantine or disable any unauthorized changes that may interfere with the proper use of the software, including circumvention of the activation or validation functions of the software; or
 - check and remove malicious or unauthorized software known to be related to such unauthorized changes; or
 - provide notice that the software is improperly licensed or a non-genuine Windows product;
and you may:
 - receive reminders to obtain a properly licensed copy of the software; or
 - need to follow Microsoft's instructions to be licensed to use the software and reactivate;
 - and you may not be able to:
 - use or continue to use the software or some of the features of the software; or
 - obtain certain updates or upgrades from Microsoft.

- d. You may only obtain updates or upgrades for the software from Microsoft or authorized sources (including Zebra Technologies Corp.). For more information on obtaining updates from authorized sources see go.microsoft.com/fwlink/?Linkid=104612.
7. **PRODUCT SUPPORT.** Contact Zebra Technologies Corp. for support options. Refer to the support number provided with the device.
8. **MICROSOFT .NET BENCHMARK TESTING.** The software includes one or more components of the .NET Framework (".NET Components"). You may conduct internal benchmark testing of those components. You may disclose the results of any benchmark test of those components, provided that you comply with the conditions set forth at go.microsoft.com/fwlink/?LinkID=66406.
Notwithstanding any other agreement you may have with Microsoft, if you disclose such benchmark test results, Microsoft shall have the right to disclose the results of benchmark tests it conducts of your products that compete with the applicable .NET Component, provided it complies with the same conditions set forth at go.microsoft.com/fwlink/?LinkID=66406.
9. **BACKUP COPY.** You may make one backup copy of the software. You may use it only to reinstall the software on the device.
10. **DOCUMENTATION.** Any person that has valid access to your computer or internal network may copy and use the documentation for your internal, reference purposes.
11. **UPGRADES.** To use upgrade software, you must first be licensed for the software that is eligible for the upgrade. Upon upgrade, this agreement takes the place of the agreement for the software you upgraded from. After you upgrade, you may no longer use the software you upgraded from.
12. **PROOF OF LICENSE.** If you acquired the software on the device, or on a disc or other media, a genuine Certificate of Authenticity label with a genuine copy of the software identifies licensed software. To be valid, this label must be affixed to the device, or included on or in Zebra Technologies Corp.'s software packaging. If you receive the label separately, it is not valid. You should keep the label on the device or packaging to prove that you are licensed to use the software. To identify genuine Microsoft software, see <http://www.howtotell.com>.
13. **TRANSFER TO A THIRD PARTY.** You may transfer the software only with the device, the Certificate of Authenticity label, and these license terms directly to a third party. Before the transfer, that party must agree that these license terms apply to the transfer and use of the software. You may not retain any copies of the software including the backup copy.
14. **NOTICE ABOUT THE H.264/AVC VISUAL STANDARD, THE VC-1 VIDEO STANDARD, THE MPEG-4 VISUAL STANDARD AND THE MPEG-2 VIDEO STANDARD.** This software may include H.264/AVC, VC-1, MPEG-4 Part 2, and MPEG-2 visual compression technology. If the software includes those visual compression technologies MPEG LA, L.L.C. requires this notice:
THIS PRODUCT IS LICENSED UNDER ONE OR MORE VIDEO PATENT PORTFOLIO LICENSES SUCH AS, AND WITHOUT LIMITATION, THE AVC, THE VC-1, THE MPEG-4 PART 2 VISUAL, AND THE MPEG 2 VIDEO PATENT PORTFOLIO LICENSES FOR THE PERSONAL AND NON-COMMERCIAL USE OF A CONSUMER TO (i) ENCODE VIDEO IN COMPLIANCE WITH THE ABOVE STANDARDS ("VIDEO STANDARDS") AND/OR (ii) DECODE VIDEO THAT WAS ENCODED BY A CONSUMER ENGAGED IN A PERSONAL AND NON-COMMERCIAL ACTIVITY OR WAS OBTAINED FROM A VIDEO PROVIDER LICENSED TO PROVIDE VIDEO UNDER SUCH PATENT PORTFOLIO LICENSES. NONE OF THE LICENSES EXTEND TO ANY OTHER PRODUCT REGARDLESS OF WHETHER SUCH PRODUCT IS INCLUDED WITH THIS PRODUCT IN A SINGLE ARTICLE. NO LICENSE IS GRANTED OR SHALL BE IMPLIED FOR ANY OTHER USE. ADDITIONAL INFORMATION MAY BE OBTAINED FROM MPEG LA, L.L.C. SEE WWW.MPEGLA.COM.

15. **NOT FAULT TOLERANT.** The software is not fault tolerant. Zebra Technologies Corp. installed the software on the device and is responsible for how it operates on the device.
16. **RESTRICTED USE.** The Microsoft software was designed for systems that do not require fail-safe performance. You may not use the Microsoft software in any device or system in which a malfunction of the software would result in foreseeable risk of injury or death to any person. This includes operation of nuclear facilities, aircraft navigation or communication systems and air traffic control.
17. **THIRD PARTY PROGRAMS.** The software contains third party programs. The license terms with those programs apply to your use of them.
18. **NO WARRANTIES FOR THE SOFTWARE.** The software is provided "as is". You bear all risks of using it. Microsoft gives no express warranties, guarantees or conditions. Any warranties you receive regarding the device or the software do not originate from, and are not binding on, Microsoft or its affiliates. When allowed by your local laws, Zebra Technologies Corp. and Microsoft exclude implied warranties of merchantability, fitness for a particular purpose and non-infringement.
19. **LIABILITY LIMITATIONS.** You can recover from Microsoft and its affiliates only direct damages up to two hundred fifty U.S. Dollars (U.S. \$250.00), or equivalent in local currency. You cannot recover any other damages, including consequential, lost profits, special, indirect or incidental damages.
This limitation applies to:
 - anything related to the software, services, content (including code) on third party internet sites, or third party programs, and
 - claims for breach of contract, breach of warranty, guarantee or condition, strict liability, negligence, or other tort to the extent permitted by applicable law.It also applies even if Microsoft should have been aware of the possibility of the damages. The above limitation may not apply to you because your country may not allow the exclusion or limitation of incidental, consequential or other damages.
20. **EXPORT RESTRICTIONS.** The software is subject to United States export laws and regulations. You must comply with all domestic and international export laws and regulations that apply to the software. These laws include restrictions on destinations, end users and end use. For additional information, see www.microsoft.com/exporting.
21. **ENTIRE AGREEMENT.** This agreement, additional terms (including any printed-paper license terms that accompany the software and may modify or replace some or all of these terms), and the terms for supplements, updates, Internet-based services and support services that you use, are the entire agreement for the software and support services.
22. **APPLICABLE LAW.**
 - a. **United States.** If you acquired the software in the United States, Washington state law governs the interpretation of this agreement and applies to claims for breach of it, regardless of conflict of laws principles. The laws of the state where you live govern all other claims, including claims under state consumer protection laws, unfair competition laws, and in tort.
 - b. **Outside the United States.** If you acquired the software in any other country, the laws of that country apply.

Regulatory Information

This device is approved under Zebra Technologies Corporation.

This guide applies to Model Number VC80.

All Zebra devices are designed to be compliant with the rules and regulations in the locations they are sold and will be labeled as required.

Local language translations are available at the following website: www.zebra.com/support.

Any changes or modifications to Zebra equipment not expressly approved by Zebra could void the user's authority to operate the equipment.



CAUTION Only use Zebra approved and UL Listed accessories, battery packs and battery chargers.

Do NOT attempt to charge damp/wet mobile computers or batteries. All components must be dry before connecting to an external power source.

Declared maximum operating temperature: 50°C.

Bluetooth® Wireless Technology

This is an approved Bluetooth® product. For more information or to view the End Product Listing, please visit <http://www.bluetooth.org/tpg/listings.cfm>.

Wireless Devices Country Approvals

Note: This section is only applicable to WW/WR/EU configurations.

Regulatory markings subject to certification are applied to the device signifying the radio(s) is/are approved for use in the following countries and continents: United States, Canada, Japan, China, South Korea, Australia, and Europe.

Please refer to the Declaration of Conformity (DoC) for details of other country markings. This is available at: <http://www.zebra.com/doc>.

Note: Europe includes Austria, Belgium, Bulgaria, Croatia, Czech Republic, Cyprus, Denmark, Estonia, Finland, France, Germany, Greece, Hungary, Iceland, Ireland, Italy, Latvia, Liechtenstein, Lithuania, Luxembourg, Malta, Netherlands, Norway, Poland, Portugal, Romania, Slovak Republic, Slovenia, Spain, Sweden, Switzerland, and the United Kingdom.



CAUTION Operation of the device without regulatory approval is illegal.

Country Roaming

This device incorporates the International Roaming feature (IEEE802.11d) which will ensure the product operates on the correct channels for the particular country of use.

Ad-Hoc Operation (2.4 GHz Band)

Ad-Hoc operation is limited to Channels 1-11 (2412 - 2462 MHz).

Frequency of Operation - FCC and IC

5 GHz Only:

The use in the UNII (Unlicensed National Information Infrastructure) band 1 (5150-5250 MHz) is restricted to Indoor Use Only; any other use will make the operation of this device illegal.

Industry Canada Statement:



CAUTION The device for the band 5150-5250 MHz is only for indoor usage to reduce potential for harmful interference to co-Channel mobile satellite systems. High power radars are allocated as primary users (meaning they have priority) of 5250-5350 MHz and 5650-5850 MHz and these radars could cause interference and/or damage to LE-LAN devices.



CAUTION Avertissement: Le dispositif fonctionnant dans la bande 5150-5250 MHz est réservé uniquement pour une utilisation à l'intérieur afin de réduire les risques de brouillage préjudiciable aux systèmes de satellites mobiles utilisant les mêmes canaux. Les utilisateurs de radars de haute puissance sont désignés utilisateurs principaux (c.-à-d., qu'ils ont la priorité) pour les bands 5250-5350 MHz et 5650-5850 MHz et que ces radars pourraient causer du brouillage et/ou des dommages aux dispositifs LAN-EL.

2.4 GHz Only:

The available channels for 802.11 b/g operation in the US are Channels 1 to 11. The range of channels is limited by firmware.

Health and Safety Recommendations

Ergonomic Recommendations



CAUTION In order to avoid or minimize the potential risk of ergonomic injury follow the recommendations below. Consult with your local Health & Safety Manager to ensure that you are adhering to your company's safety programs to prevent employee injury.

- Reduce or eliminate repetitive motion
- Maintain a neutral postures
- Reduce or eliminate excessive force
- Keep objects that are used frequently within easy reach
- Perform tasks at correct heights
- Reduce or eliminate vibration
- Reduce or eliminate direct pressure
- Provide adjustable workstations
- Provide adequate clearance
- Provide a suitable working environment
- Improve work procedures.

Vehicle Installation

RF signals may affect improperly installed or inadequately shielded electronic systems in motor vehicles (including safety systems). Check with the manufacturer or its representative regarding your vehicle. You should also consult the manufacturer about any equipment that has been added to your vehicle.

An air bag inflates with great force. DO NOT place objects, including either installed or portable wireless equipment, in the area over the air bag or in the air bag deployment area. If in-vehicle wireless equipment is improperly installed and the air bag inflates, serious injury could result.

Position the device within easy reach. Be able to access the device without removing your eyes from the road.

Note: Connection to an alert device that will cause a vehicle horn to sound or lights to flash on receipt of a call on public roads is not permitted.

IMPORTANT: Before installing or using, check state and local laws regarding windshield mounting and use of equipment.

For Safe installation

- Do not put your phone in a location that obstructs the drivers vision or interferes with the operation of the Vehicle.
- Do not cover an airbag.

Safety on the Road

Do not take notes or use the device while driving. Jotting down a 'to do' list or flipping through your address book takes attention away from your primary responsibility; driving safely.

When driving a car, driving is your first responsibility - Give your full attention to driving. Check the laws and regulations on the use of wireless devices in the areas where you drive. Always obey them.

When using a wireless device behind the wheel of a car, practice good common sense and remember the following tips:

1. Get to know your wireless device and any features such as speed dial and redial. If available, these features help you to place your call without taking your attention off the road.
2. When available, use a hands free device.
3. Let the person you are speaking with know you are driving; if necessary, suspend the call in heavy traffic or hazardous weather conditions. Rain, sleet, snow, ice, and even heavy traffic can be hazardous.
4. Dial sensibly and assess the traffic; if possible, place calls when you are not moving or before pulling into traffic. Try to plan calls when your car will be stationary. If you need to make a call while moving, dial only a few numbers, check the road and your mirrors, then continue.
5. Do not engage in stressful or emotional conversations that may be distracting. Make people you are talking with aware you are driving and suspend conversations that have the potential to divert your attention from the road.
6. Use your wireless phone to call for help. Dial the Emergency services, (9-1-1 in the US, and 1-1-2 in Europe) or other local emergency number in the case of fire, traffic accident, or medical emergencies. Remember, it is a free call on your wireless phone! The call can be made regardless of any security codes and depending on a network; with or without a SIM card inserted.

7. Use your wireless phone to help others in emergencies. If you see an auto accident, crime in progress, or other serious emergency where lives are in danger, call the Emergency Services (9-1-1 in the US, and 1-1-2 in Europe) or other local emergency number as you would want others to do for you.
8. Call roadside assistance or a special non-emergency wireless assistance number when necessary. If you see a broken-down vehicle posing no serious hazard, a broken traffic signal, a minor traffic accident where no one appears injured, or a vehicle you know to be stolen, call roadside assistance or other special non-emergency wireless number.

"The wireless industry reminds you to use your device / phone safely when driving".



Warnings for Use of Wireless Devices

Please observe all warning notices with regard to the usage of wireless devices.

Potentially Hazardous Atmospheres - Vehicles Use

You are reminded of the need to observe restrictions on the use of radio devices in fuel depots, chemical plants, etc. and areas where the air contains chemicals or particles such as grain, dust, or metal powders and any other area where you would normally be advised to turn off your vehicle engine.

Safety in Aircraft

Switch off your wireless device whenever you are instructed to do so by airport or airline staff. If your device offers a 'flight mode' or similar feature, consult airline staff as to its use in flight.

Pacemakers

Pacemaker manufacturers recommended that a minimum of 15 cm (6 inches) be maintained between a handheld wireless device and a pacemaker to avoid potential interference with the pacemaker. These recommendations are consistent with independent research and recommendations by Wireless Technology Research.

Persons with pacemakers:

- Should ALWAYS keep the device more than 15cm (6 inches) from their pacemaker when turned ON.
- Should not carry the device in a breast pocket.
- Should use the ear furthest from the pacemaker to minimize the potential for interference.
- If you have any reason to suspect that interference is taking place, turn OFF your device.

Other Medical Devices

Please consult your physician or the manufacturer of the medical device, to determine if the operation of your wireless product may interfere with the medical device.



RF Exposure Guidelines

Safety Information

Reducing RF Exposure - Use Properly

Only operate the device in accordance with the instructions supplied.

International

The device complies with internationally recognized standards covering human exposure to electromagnetic fields from radio devices. For information on "International" human exposure to electromagnetic fields refer to the Zebra Declaration of Conformity (DoC) at <http://www.zebra.com/doc>.

For further information on the safety of RF energy from wireless devices, refer to <http://responsibility.zebra.com/index.php/downloads/>, which is located under **Wireless Communications and Health**.

Europe

Remote and Standalone Antenna Configurations

To comply with EU RF exposure requirements, antennas that are mounted externally at remote locations or operating near users at stand-alone desktop of similar configurations must operate with a minimum separation distance of 20cm from all persons.

US and Canada

Co-located Statement

To comply with FCC RF exposure compliance requirement, the antenna used for this transmitter must not be co-located or operating in conjunction with any other transmitter/antenna except those already approved in this filing.

Industry Canada Statement:

IMPORTANT NOTE: (For mobile device use)

Radiation Exposure Statement:

This equipment complies with IC radiation exposure limits set forth for an uncontrolled environment. This equipment should be installed and operated with minimum distance 20cm between the radiator and your body.

NOTE IMPORTANTE: (Pour l'utilisation de dispositifs mobiles)

Déclaration d'exposition aux radiations:

Cet équipement est conforme aux limites d'exposition aux rayonnements IC établies pour un environnement non contrôlé. Cet équipement doit être installé et utilisé avec un minimum de 20 cm de distance entre la source de rayonnement et votre corps.

Remote and Standalone Antenna Configurations

To comply with FCC RF exposure requirements, antennas that are mounted externally at remote locations or operating near users at stand-alone desktop of similar configurations must operate with a minimum separation distance of 20 cm from all persons.

To satisfy FCC RF exposure requirements, a mobile transmitting device must operate with a minimum separation distance of 20 cm or more from a person's body.

Power Supply

Use ONLY a Zebra approved UL LISTED ITE (IEC/EN 60950-1) power supply with electrical ratings: Output 24Vdc, min 6.25A, with a maximum ambient temperature of at least 40 degrees C. Use of alternative power supply will invalidate any approvals given to this unit and may be dangerous.

Batteries

Taiwan - Recycling

EPA (Environmental Protection Administration) requires dry battery producing or importing firms in accordance with Article 15 of the Waste Disposal Act are required to indicate the recycling marks on the batteries used in sales, giveaway or promotion. Contact a qualified Taiwanese recycler for proper battery disposal.



「廢電池請回收」

Battery Information



CAUTION Risk of explosion if battery is replaced by an incorrect type.

Dispose of batteries according to instructions.

Use only approved batteries. Accessories which have battery charging capability are approved for use with the following battery models:

Part Number BT000254A01 (12.6 Vdc, 2000 mAh).

Zebra approved rechargeable battery packs are designed and constructed to the highest standards within the industry.

However, there are limitations as to how long a battery can operate or be stored before needing replacement. Many factors affect the actual life cycle of a battery pack such as heat, cold, harsh environmental conditions, and severe drops.

When batteries are stored over six months, some irreversible deterioration in overall battery quality may occur. Store batteries at half of full charge in a dry, cool place, removed from the equipment to prevent loss of capacity, rusting of metallic parts, and electrolyte leakage. When storing batteries for one year or longer, the charge level should be verified at least once a year and charged to half of full charge.

Replace the battery when a significant loss of run time is detected.

Standard warranty period for all Zebra batteries is 30 days, regardless if the battery was purchased separately or included as part of the mobile computer or bar code scanner. For more information on Zebra batteries, please visit: <http://www.zebra.com/batterybasics>.

Battery Safety Guidelines

The area in which the units are charged should be clear of debris and combustible materials or chemicals. Particular care should be taken where the device is charged in a non-commercial environment.

- Follow battery usage, storage, and charging guidelines found in the user's guide.
- Improper battery use may result in a fire, explosion, or other hazard.
- To charge the mobile device battery, the battery and charger temperatures must be between +32 °F and +113 °F (0 °C and +45 °C).
- Do not use incompatible batteries and chargers. Use of an incompatible battery or charger may present a risk of fire, explosion, leakage, or other hazard. If you have any questions about the compatibility of a battery or a charger, contact Zebra support.
- Do not disassemble or open, crush, bend or deform, puncture, or shred.
- Severe impact from dropping any battery-operated device on a hard surface could cause the battery to overheat.
- Do not short circuit a battery or allow metallic or conductive objects to contact the battery terminals.

- Do not modify or remanufacture, attempt to insert foreign objects into the battery, immerse or expose to water or other liquids, or expose to fire, explosion, or other hazard.
- Do not leave or store the equipment in or near areas that might get very hot, such as in a parked vehicle or near a radiator or other heat source. Do not place battery into a microwave oven or dryer.
- Battery usage by children should be supervised.
- Please follow local regulations to promptly dispose of used re-chargeable batteries.
- Do not dispose of batteries in fire.
- Seek medical advice immediately if a battery has been swallowed.
- In the event of a battery leak, do not allow the liquid to come in contact with the skin or eyes. If contact has been made, wash the affected area with large amounts of water and seek medical advice.
- If you suspect damage to your equipment or battery, contact Zebra support to arrange for inspection.

Radio Frequency Interference Requirements-FCC



Note: This equipment has been tested and found to comply with the limits for a Class B digital device, pursuant to Part 15 of the FCC rules. These limits are designed to provide reasonable protection against harmful interference in a residential installation. This equipment generates, uses and can radiate radio frequency energy and, if not installed and used in accordance with the instructions, may cause harmful interference to radio communications. However there is no guarantee that interference will not occur in a particular installation. If this equipment does cause harmful interference to radio or television reception, which can be determined by turning the equipment off and on, the user is encouraged to try to correct the interference by one or more of the following measures:

- Reorient or relocate the receiving antenna
- Increase the separation between the equipment and receiver
- Connect the equipment into an outlet on a circuit different from that to which the receiver is connected
- Consult the dealer or an experienced radio/TV technician for help.

Radio Transmitters (Part 15)

This device complies with Part 15 of the FCC Rules. Operation is subject to the following two conditions: (1) this device may not cause harmful interference, and (2) this device must accept any interference received, including interference that may cause undesired operation.

The use of 5 GHz WLAN's, for use in the US, have the following restrictions

- Notched Band 5.60 - 5.65 GHz

Radio Frequency Interference Requirements - Canada

CAN ICES-3 (B)/NMB-3(B)

Radio Transmitters

For RLAN Devices:

The use of 5 GHz RLAN's, for use in Canada, have the following restrictions:

- Restricted Band 5.60 - 5.65 GHz

This device is in compliance with the NRC for Industry Canada applicable to license-exempt radios. Use is allowed with the following two conditions: (1) the device must not produce interference, and (2) the device must accept any interference to the radio, even if the interference is likely to compromise operation.

Le présent appareil est conforme aux CNR d'Industrie Canada applicables aux appareils radio exempts de licence. L'exploitation est autorisée aux deux conditions suivantes : (1) l'appareil ne doit pas produire de brouillage, et (2) l'utilisateur de l'appareil doit accepter tout brouillage radioélectrique subi, même si le brouillage est susceptible d'en compromettre le fonctionnement.

IC - Label Marking: The Term "IC:" before the radio certification only signifies that Industry Canada technical specifications were met.

In accordance with the regulations of Industry Canada, this radio transmitter can operate with an antenna of a type and a maximum gain (or lower) approved for the transmitter by Industry Canada. With the aim of reducing the risk of radio interference to other users, the chosen antenna type and its gain should be selected so that the equivalent isotropically radiated power (e.i.r.p.) does not exceed the intensity necessary for the establishment of a satisfactory connection.

Conformément à la réglementation d'Industrie Canada, le présent émetteur radio peut fonctionner avec une antenne d'un type et d'un gain maximal (ou inférieur) approuvé pour l'émetteur par Industrie Canada. Dans le but de réduire les risques de brouillage radio électrique à l'intention des autres utilisateurs, il faut choisir le type d'antenne et son gain de sorte que la puissance isotrope rayonnée équivalente (p.i.r.e.) ne dépasse pas l'intensité nécessaire à l'établissement d'une communication satisfaisante.

This radio transmitter has been approved by Industry Canada to operate with the antenna types listed below and having a maximum gain allowable and the impedance required for each type of antenna. The antenna types not included in this list, or whose gain is higher than the maximum gain indicates, are strictly prohibited for the operation of the transmitter.

Dipole	2 / 3.7 dBi [2.4 / 5GHz]	External Antenna
Mono-Pole	5 / 2 dBi[2.4 / 5GHz]	External Antenna
Patch	5 / 5 dBi[2.4 / 5GHz]	Internal Antenna

Le présent émetteur radio (identifier le dispositif par son numéro de certification ou son numéro de modèle s'il fait partie du matériel de catégorie I) a été approuvé par Industrie Canada pour fonctionner avec les types d'antenne énumérés ci-dessous et ayant un gain admissible maximal et l'impédance requise pour chaque type d'antenne. Les types d'antenne non inclus dans cette liste ou dont le gain est supérieur au gain maximal indiqué, sont strictement interdits pour l'exploitation de l'émetteur.

Marking and European Economic Area (EEA)

The use of 2.4 GHz RLAN's, for use through the EEA, have the following restrictions:

- Maximum radiated transmit power of 100 mW EIRP in the frequency range 2.400 - 2.4835 GHz

Bluetooth® Wireless Technology for use through the EEA has the following restrictions:

- Maximum radiated transmit power of 100mW EIRP in the frequency range 2.400 -2.4835 GHz

Statement of Compliance

Zebra hereby declares that this device is in compliance with the essential requirements and other relevant provisions of Directives 1999/5/EC, 2004/108/EC, 2006/95/EC, and 2011/65/EU. A Declaration of Conformities may be obtained from <http://www.zebra.com/doc>.



Waste Electrical and Electronic Equipment (WEEE)

English: For EU Customers: All products at the end of their life must be returned to Zebra for recycling. For information on how to return product, please go to: <http://www.zebra.com/weee>.

Français: Clients de l'Union Européenne: Tous les produits en fin de cycle de vie doivent être retournés à Zebra pour recyclage. Pour de plus amples informations sur le retour de produits, consultez : <http://www.zebra.com/weee>.

Español: Para clientes en la Unión Europea: todos los productos deberán entregarse a Zebra al final de su ciclo de vida para que sean reciclados. Si desea más información sobre cómo devolver un producto, visite: <http://www.zebra.com/weee>.

Български: За клиенти от ЕС: След края на полезния им живот всички продукти трябва да се връщат на Zebra за рециклиране. За информация относно връщането на продукта, моля отидете на адрес: <http://www.zebra.com/weee>.

Deutsch: Für Kunden innerhalb der EU: Alle Produkte müssen am Ende ihrer Lebensdauer zum Recycling an Zebra zurückgesandt werden. Informationen zur Rücksendung von Produkten finden Sie unter <http://www.zebra.com/weee>.

Italiano: per i clienti dell'UE: tutti i prodotti che sono giunti al termine del rispettivo ciclo di vita devono essere restituiti a Zebra al fine di consentirne il riciclaggio. Per informazioni sulle modalità di restituzione, visitare il seguente sito Web: <http://www.zebra.com/weee>.

Português: Para clientes da UE: todos os produtos no fim de vida devem ser devolvidos à Zebra para reciclagem. Para obter informações sobre como devolver o produto, visite: <http://www.zebra.com/weee>.

Nederlands: Voor klanten in de EU: alle producten dienen aan het einde van hun levensduur naar Zebra te worden teruggezonden voor recycling. Raadpleeg <http://www.zebra.com/weee> voor meer informatie over het terugzenden van producten.

Polski: Klienci z obszaru Unii Europejskiej: Produkty wycofane z eksploatacji należy zwrócić do firmy Zebra w celu ich utylizacji. Informacje na temat zwrotu produktów znajdują się na stronie internetowej <http://www.zebra.com/weee>.

Čeština: Pro zákazníky z EU: Všechny produkty je nutné po skončení jejich životnosti vrátit společnosti Zebra k recyklaci. Informace o způsobu vrácení produktu najdete na webové stránce: <http://www.zebra.com/weee>.

Eesti: EL klientidele: kõik tooted tuleb nende eluea lõppedes tagastada taaskasutamise eesmärgil Zebra'ile. Lisainformatsiooni saamiseks toote tagastamise kohta külastage palun aadressi: <http://www.zebra.com/weee>.

Magyar: Az EU-ban vásárlóknak: Minden tönkrement terméket a Zebra vállalatához kell eljuttatni újrahasznosítás céljából. A termék visszajuttatásának módjával kapcsolatos tudnivalóért látogasson el a <http://www.zebra.com/weee> weboldalra.

Svenska: För kunder inom EU: Alla produkter som uppnått sin livslängd måste returneras till Zebra för återvinning. Information om hur du returnerar produkten finns på <http://www.zebra.com/weee>.

Suomi: Asiakkaat Euroopan unionin alueella: Kaikki tuotteet on palautettava kierrätettäväksi Zebra-yhtiöön, kun tuotetta ei enää käytetä. Lisätietoja tuotteen palauttamisesta on osoitteessa <http://www.zebra.com/weee>.

Dansk: Til kunder i EU: Alle produkter skal returneres til Zebra til recirkulering, når de er udtjent. Læs oplysningerne om returnering af produkter på: <http://www.zebra.com/weee>.

Ελληνικά: Για πελάτες στην Ε.Ε.: Όλα τα προϊόντα, στο τέλος της διάρκειας ζωής τους, πρέπει να επιστρέφονται στην Zebra για ανακύκλωση. Για περισσότερες πληροφορίες σχετικά με την επιστροφή ενός προϊόντος, επισκεφθείτε τη διεύθυνση <http://www.zebra.com/weee> στο Διαδίκτυο.

Malti: Għal klijenti fl-EU: il-prodotti kollha li jkunu waslu fl-aħħar tal-hajja ta' l-użu tagħhom, iridu jiġu rritornati għand Zebra għar-riċiklaġġ. Għal aktar tagħrif dwar kif għandek tiritorna l-prodott, jekk jogħġbok żur: <http://www.zebra.com/weee>.

Românesc: Pentru clienții din UE: Toate produsele, la sfârșitul duratei lor de funcționare, trebuie returnate la Zebra pentru reciclare. Pentru informații despre returnarea produsului, accesați: <http://www.zebra.com/weee>.

Slovenski: Za kupce v EU: vsi izdelki se morajo po poteku življenjske dobe vrniti podjetju Zebra za reciklažo. Za informacije o vračilu izdelka obiščite: <http://www.zebra.com/weee>.

Slovenčina: Pre zákazníkov z krajín EU: Všetky výrobky musia byť po uplynutí doby ich životnosti vrátené spoločnosti Zebra na recykláciu. Bližšie informácie o vrátení výrobkov nájdete na: <http://www.zebra.com/weee>.

Lietuvių: ES vartotojams: visi gaminiai, pasibaigus jų eksploatacijos laikui, turi būti gražinti utilizuoti į kompaniją „Zebra“. Daugiau informacijos, kaip gražinti gamini, rasite: <http://www.zebra.com/weee>.

Latviešu: ES klientiem: visi produkti pēc to kalpošanas mūža beigām ir jānogādā atpakaļ Zebra atreizējai pārstrādei. Lai iegūtu informāciju par produktu nogādāšanu Zebra, lūdzu, skatiet: <http://www.zebra.com/weee>.

Türkçe: AB Müşterileri için: Kullanım süresi dolan tüm ürünler geri dönüşürme için Zebra'ya iade edilmelidir. Ürünlerin nasıl iade edileceği hakkında bilgi için lütfen şu adresi ziyaret edin: <http://www.zebra.com/weee>.

TURKISH WEEE Statement of Compliance

EEE Yönetmeliğine Uygundur

Japan (VCCI) - Voluntary Control Council for Interference

Class B ITE

この装置は、クラスB情報技術装置です。この装置は、家庭環境で使用することを目的としていますが、この装置がラジオやテレビジョン受信機に近接して使用されると、受信障害を引き起こすことがあります。
取扱説明書に従って正しい取り扱いをして下さい。 VCCI-B

Korea Warning Statement for Class B ITE

기종별	사용자 안내문
B급 기기 (가정용 방송통신기자재)	이 기기는 가정용 (B급) 전자파적합기기로서 주로 가정에서 사용하는 것을 목적으로 하며, 모든 지역에서 사용할 수 있습니다.

Other Countries

Australia

Use of 5 GHz RLAN's in Australia is restricted in the following band 5.50 - 5.65GHz.

Brazil (UNWANTED EMISSIONS - ALL PRODUCTS)

Regulatory declarations for VC80 - BRAZIL

For more information consult the website www.anatel.gov.br

Declarações Regulamentares para VC80 - Brazil

Nota: A marca de certificação se aplica ao Transceptor, modelo VC80. Este equipamento opera em caráter secundário, isto é, não tem direito a proteção contra interferência prejudicial, mesmo de estações do mesmo tipo, e não pode causar interferência a sistemas operando em caráter primário.

Para maiores informações sobre ANATEL consulte o site: www.anatel.gov.br

Este equipamento opera em caráter secundário, isto é, não tem direito a proteção contra interferência prejudicial, mesmo de estações do mesmo tipo, e não pode causar interferência a sistemas operando em caráter primário.

Chile

Este equipo cumple con la Resolución No 403 de 2008, de la Subsecretaria de telecomunicaciones, relativa a radiaciones electromagnéticas

China

通过访问以下网址可下载当地语言支持的产品说明书

www.zebra.com/contact

Hong Kong

In accordance with HKTA1039, the band 5.15GHz - 5.35GHz is for indoor operation only.

Mexico

Restrict Frequency Range to: 2.450 - 2.4835 GHz.

La operación de este equipo está sujeta a las siguientes dos condiciones: (1) es posible que este equipo o dispositivo no cause interferencia perjudicial y (2) este equipo o dispositivo debe aceptar cualquier interferencia, incluyendo la que pueda causar su operación no deseada.

South Korea

For a radio equipment using 2400~2483.5MHz or 5725~5825MHz, the following two expression should be displayed:

해당 무선설비는 운용 중 전파혼신 가능성이 있음

해당 무선설비는 전파혼신 가능성이 있으므로 인명안전과 관련된 서비스는 할 수 없습니다

Taiwan

臺灣

低功率電波輻射性電機管理辦法

第十二條

經型式認證合格之低功率射頻電機，非經許可，公司、商號或使用者均不得擅自變更頻率、加大功率或變更原設計之特性及功能。

第十四條

低功率射頻電機之使用不得影響飛航安全及干擾合法通信；經發現有干擾現象時，應立即停用，並改善至無干擾時方得繼續使用。

前項合法通信，指依電信規定作業之無線電通信。

低功率射頻電機須忍受合法通信或工業、科學及醫療用電波輻射性電機設備之干擾。

在5.25-5.35 兆赫頻帶內操作之無線資訊傳輸設備，限於室內使用。

Ukraine

Дане обладнання відповідає вимогам технічного регламенту №1057, № 2008 на обмеження щодо використання деяких небезпечних речовин в електричних та електронних пристроях.

Thailand

เครื่องโทรคมนาคมและอุปกรณ์นี้ มีความสอดคล้องตามข้อกำหนดของ กทท.

China RoHS

This table was created to comply with China RoHS requirements.

部件名称 (Parts)	有害物质					
	铅 (Pb)	汞 (Hg)	镉 (Cd)	六价铬 (Cr(VI))	多溴联苯 (PBB)	多溴二苯醚 (PBDE)
金属部件 (Metal Parts)	○	○	○	○	○	○
电路模块 (Circuit Modules)	X	○	X	○	○	○
电缆及电缆组件 (Cables and Cable Assemblies)	○	○	○	○	○	○
塑料和聚合物部件 (Plastic and Polymeric Parts)	○	○	○	○	○	○
光学和光学组件 (Optics and Optical Components)	○	○	○	○	○	○
电池 (Batteries)	X	○	○	○	○	○

本表格依据SJ/T 11364 的规定编制。

O: 表示该有害物质在该部件所有均质材料中的含量均在 SJ/T 11364—2014 规定的限量要求以下。

X: 表示该有害物质至少在该部件的某一均质材料中的含量超出 SJ/T 11364—2014 规定的限量要求。(企业可在此处，根据实际情况对上表中打“X”的技术原因进行进一步说明。)

This table was created to comply with China RoHS requirements.



Zebra Technologies Corporation
Lincolnshire, Illinois 60069 USA
<http://www.zebra.com>

Zebra and the stylized Zebra head are trademarks of ZIH Corp., registered in many jurisdictions worldwide. All other trademarks are the property of their respective owners.

© 2015 Zebra Technologies Corporation.



MN002383A01 Rev. A - December 2015

