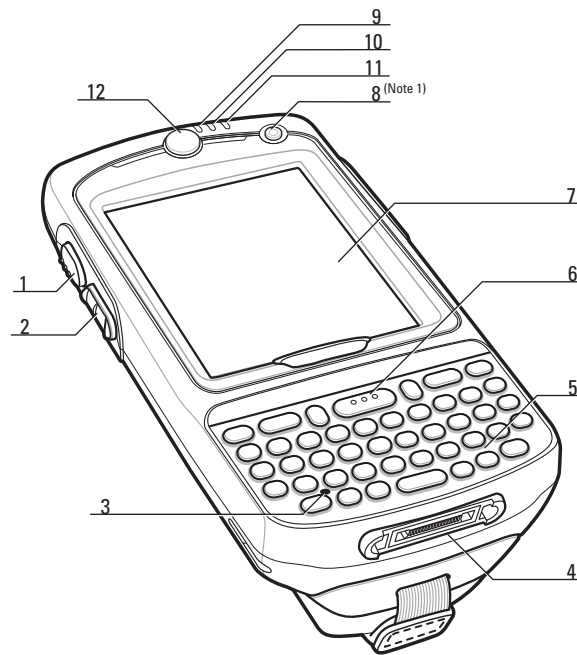
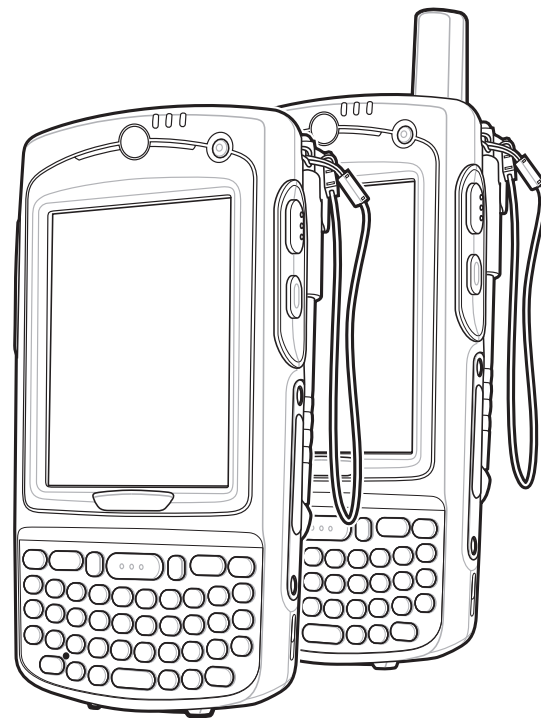


MC75A

Quick Start Guide

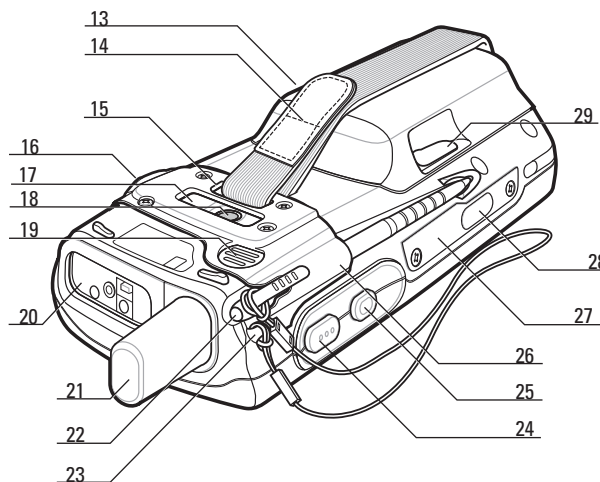
FEATURES



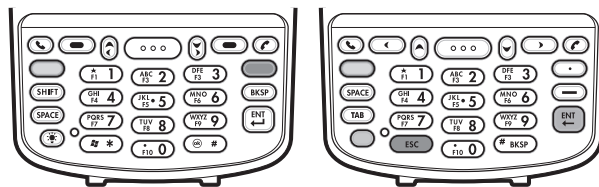
- 1 Scan/Action Button
- 2 Up/Down Button
- 3 Microphone
- 4 I/O Connector
- 5 Keypad
- 6 Scan/Action Button (with screen protector)
- 7 Touch Screen
- 8 Power Button
- 9 Scan/Decode LED
- 10 Charging/Battery Status LED
- 11 Radio Status LED (MC75A6/8 only)
- 12 Receiver

Note 1: To reset the MC75A, press and hold the Power button for five (5) seconds.

- 13 Battery Door
- 14 Handstrap
- 15 Handstrap Slot
- 16 Headset Jack
- 17 Camera Flash (optional)
- 18 3.2 Mpixel Camera (optional)
- 19 Speaker
- 20 Scan Window (see Data Capture Options)
- 21 Antenna
- 22 Stylus
- 23 Tether Point
- 24 Scan/Action Button
- 25 Action Button
- 26 Back Housing Bracket
- 27 Memory Card Cover
- 28 IrDA Window
- 29 Door Latch

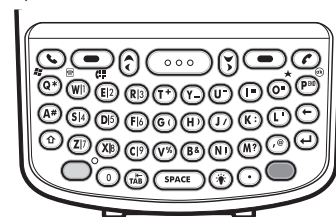


KEYPADS



Numeric Keypad DSD Keypad

- Blue Key**
Use this key to access function keys shown on the keypad in blue.
> Press the blue key once to activate this mode followed by another key.
- Orange Key**
Use this key to access the secondary layer of characters and actions.
> Press the orange key once to lock the keypad in the Alpha state.
> Press the orange key a second time to return to the normal state.

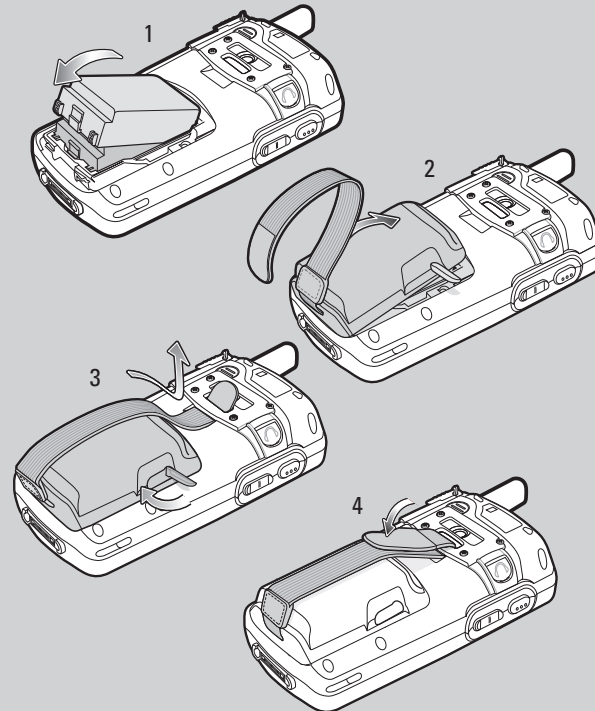


- Blue Key**
Use this key to access function keys shown on the keypad in blue.
> Press the Blue key once to activate this state temporarily, followed by another key.
> Press the Blue key twice to lock this state.
> Press the Blue key a third time to unlock.
- Orange Key**
Use this key to access the secondary layer of characters and actions.
> Press the Orange key once to activate this state temporarily, followed by another key.
> Press the Orange key twice to lock this state.
> Press the Orange key a third time to unlock.

Note 2: See the MC75A User Guide for detailed keypad information.

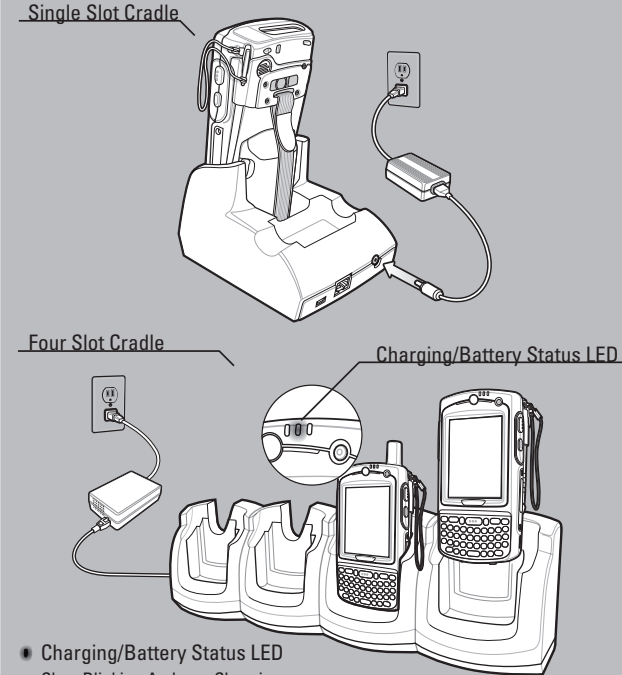
GETTING STARTED

1 Insert the Battery



Note 3: 3600 mAh Battery and Door shown.

2 Charge the MC75A 24hr*



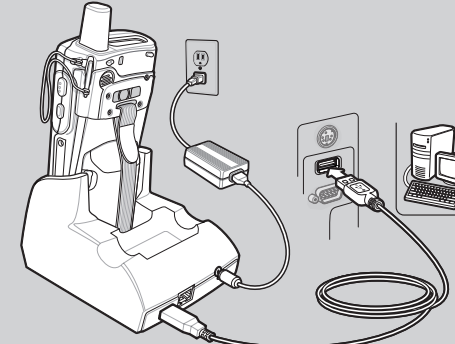
- Charging/Battery Status LED
- Slow Blinking Amber = Charging
- Solid Amber = Fully Charged
- Fast Blinking Amber = Charging Error

* It is recommended that this product be charged for 24 hours before the first use to ensure that the internal battery is fully charged.

3 Install ActiveSync®

Download ActiveSync® 4.5 or higher from <http://www.microsoft.com> and follow the instructions to install ActiveSync onto the host computer.

4 Communicate with Host

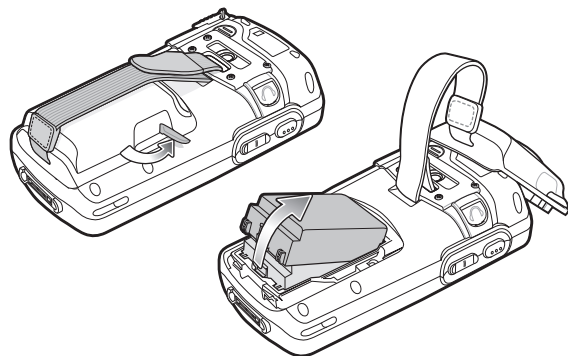


5 Create a Partnership

Follow the on-screen ActiveSync instructions to establish a connection between the MC75A and the host computer.

BATTERY REMOVAL

1. If the MC75A is in suspend mode, press the red Power button to wake the MC75A.
2. Press the red Power button to suspend the MC75A.
3. Wait for red Decode LED to turn on and then turn off.
4. Open the battery cover latches on either side of the battery cover.
5. Lift the top of the battery cover and remove.
6. Press the battery release latch on the bottom of the battery to unlock, and lift the battery out of the well.



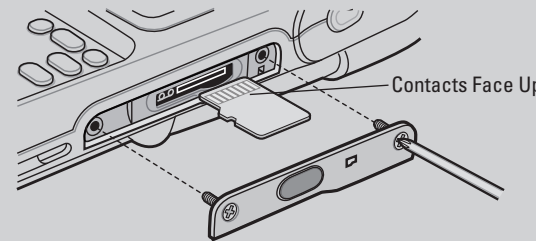
Zebra Technologies Corporation
Lincolnshire, IL, USA
Zebra and the Zebra head graphic are registered trademarks of ZIH Corp. The Symbol logo is a registered trademark of Symbol Technologies, Inc., a Zebra Technologies company.
© Symbol Technologies, Inc. 2015



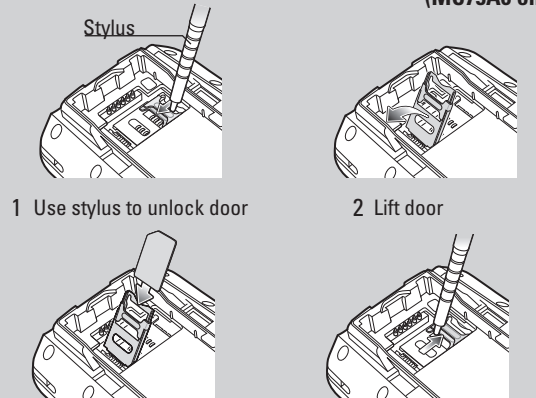
72-127677-03 Rev. A March 2015

ACCESSORIES

MicroSD Card Installation



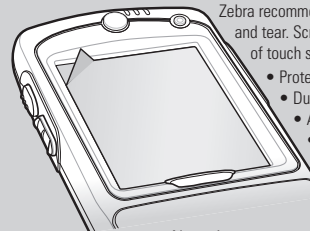
SIM Card Installation (Located Under Battery) (MC75A6 only)



- 1 Use stylus to unlock door
- 2 Lift door
- 3 Place SIM card with contacts facing down
- 4 Use stylus to lock door

<http://www.zebra.com/mc75a>

Screen Protector

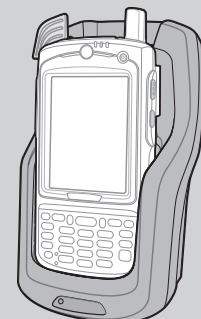


Zebra recommends the use of a screen protector to minimize wear and tear. Screen protectors enhance the usability and durability of touch screen displays. Benefits include:

- Protection from scratches and gouges
- Durable writing and touch surface with tactile feel
- Abrasion and chemical resistance
- Glare reduction
- Keeping the device's screen looking like new
- Quick and easy installation.

Not using a screen protector can affect your warranty coverage. An initial screen protector is already applied to your MC75A. Contact your local account manager or Zebra, for more information and purchasing details. Part number: KT-129195-03R Screen Protector 3/pkg.

Vehicle Cradle

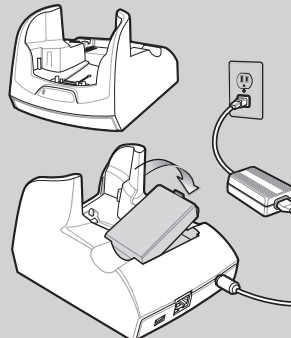


Snap-On Accessories



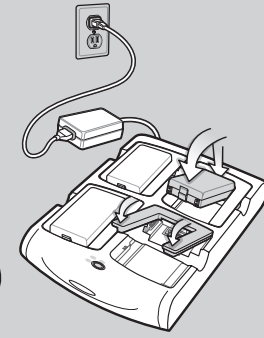
Charge in Cradle

Flashing Amber: Battery charging
Solid Amber: Battery fully charged

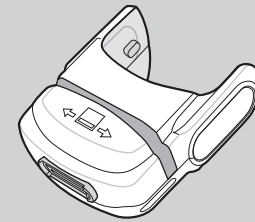


Spare Battery Charger

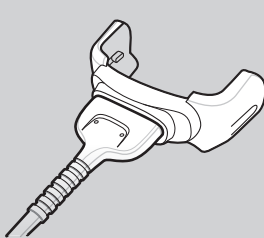
Flashing Amber: Battery charging
Solid Amber: Battery fully charged



Magnetic Stripe Reader

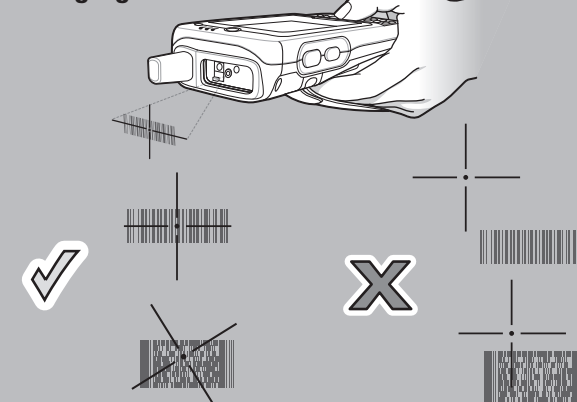


Cables

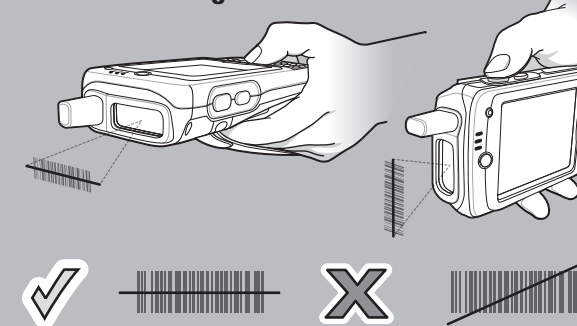


DATA CAPTURE OPTIONS

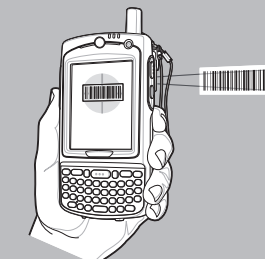
Imaging



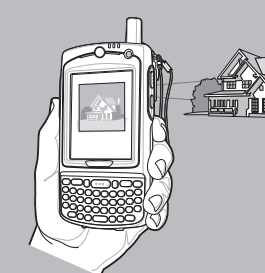
Laser Scanning



Camera Decode



Camera Photo



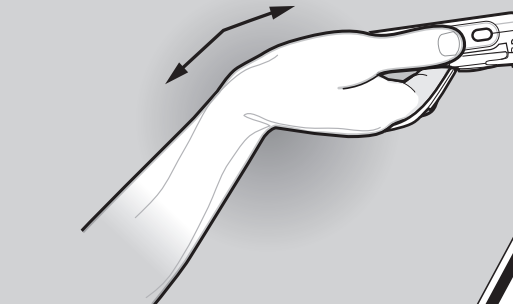
GPS Information

- When using the GPS feature of the MC75A6/8:
- Acquiring satellite signals may take a few minutes. It is best to be outside and have a clear, unobstructed view of the sky.
 - Without a clear view, acquisition takes much longer and could result in the MC75A6/8 being unable to compute the initial position quickly.
 - Obtain a satellite fix before moving.
 - Shutdown GPS application when not in use to extend battery life.

1. Launch a bar code reading application on the MC75A.
2. Position the MC75A toward the bar code.
3. Press the **Scan** button.
4. In the image window align the red target over the bar code. When the MC75A decodes the bar code the Scan/Decode LED light green and a beep sounds.
5. Release the **Scan** button.

1. Tap **Start > Pictures & Videos > Camera**.
2. Point the MC75A at an object.
3. Press the **Enter** or yellow scan buttons.
4. Hold MC75A still until "Shutter Sound" is heard.

AVOID EXTREME WRIST ANGLES



AVOID EXTREME WRIST ANGLES

