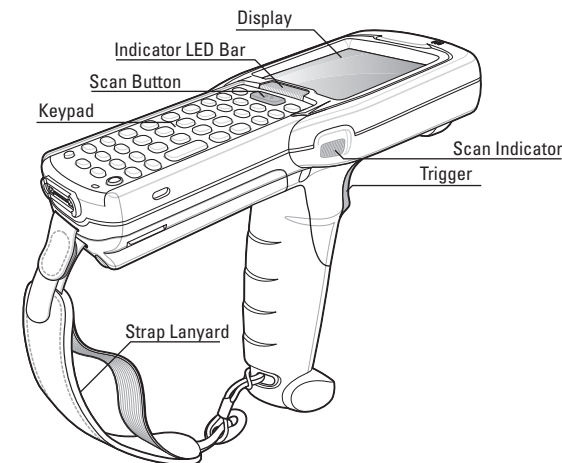


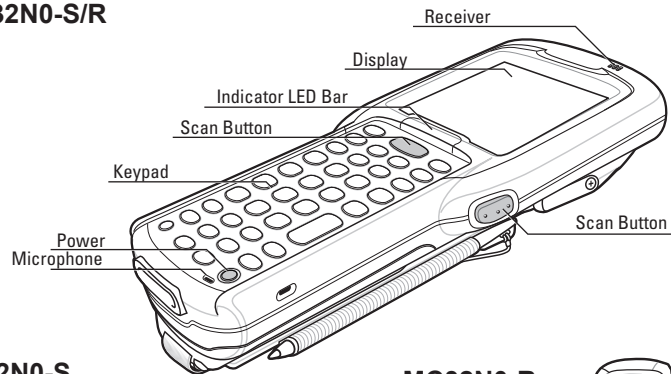
# MC32N0 SERIES QUICK START GUIDE

## FEATURES

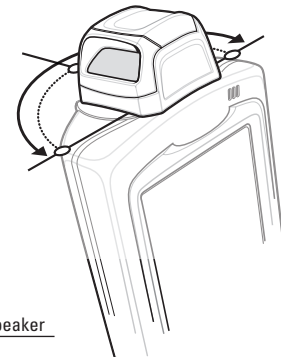
### MC32N0-G



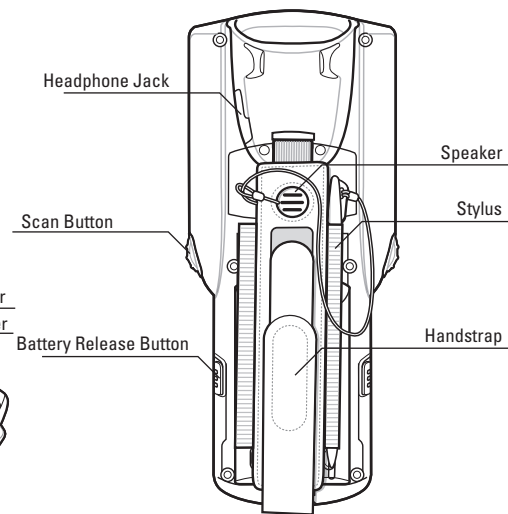
### MC32N0-S/R



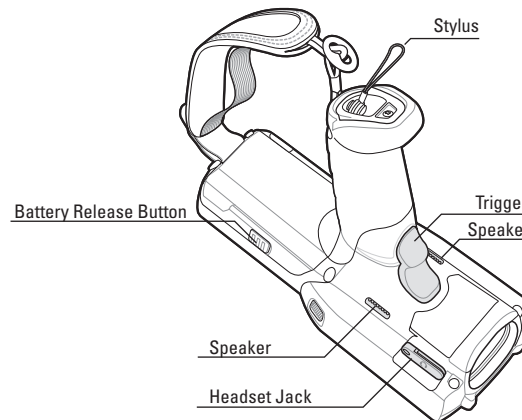
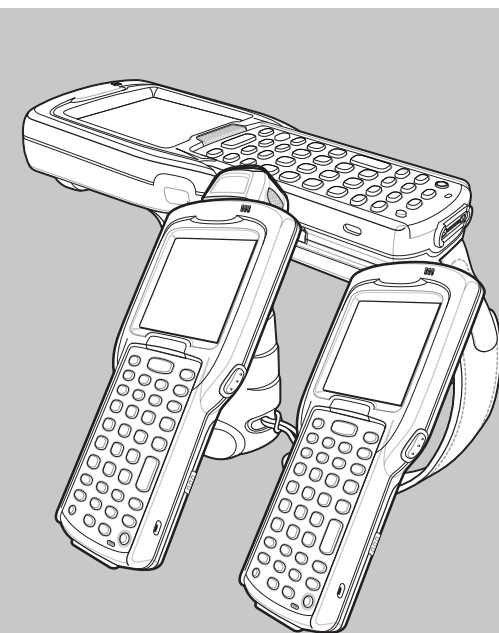
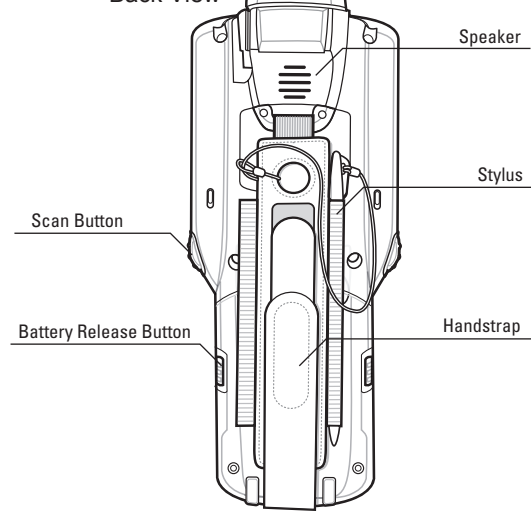
### MC32N0-R Rotate Turret



### MC32N0-S Back View



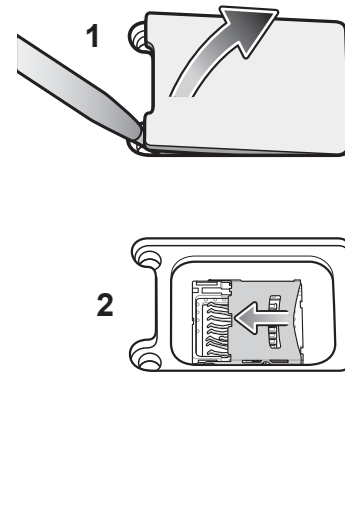
### MC32N0-R Back View



## GETTING STARTED

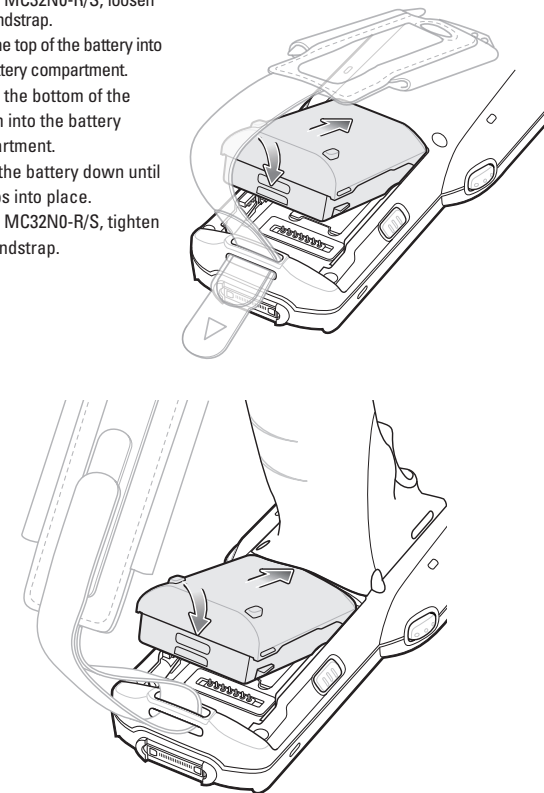
### Installing an Optional microSD Card

1. Remove the SD card cover using stylus.
2. Slide the SD card holder down to unlock.
3. Lift the SD card holder.
4. Place the microSD card into the contact area.
5. Close the SD card holder and slide the SD card holder up to lock.
6. Replace the SD card cover and ensure that it is installed properly.



### Installing the Battery

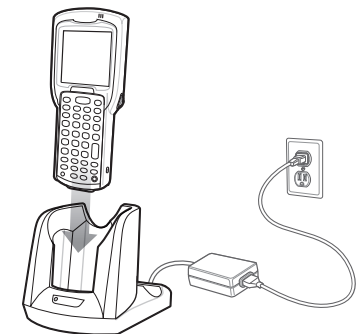
1. On the MC32N0-R/S, loosen the handstrap.
2. Align the top of the battery into the battery compartment.
3. Rotate the bottom of the bottom into the battery compartment.
4. Press the battery down until it snaps into place.
5. On the MC32N0-R/S, tighten the handstrap.



### Charge the MC32N0

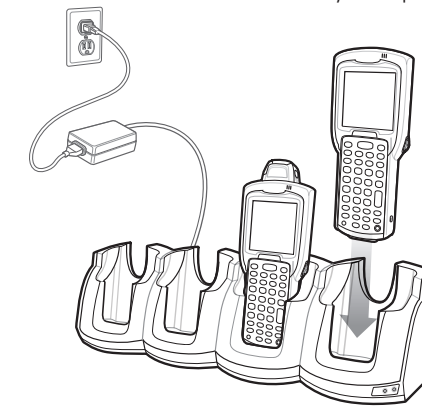
24hr\*

#### Single Slot Cradle



1. Install battery adapter into spare battery slot.
2. Install battery into adapter.

#### Four Slot Cradle

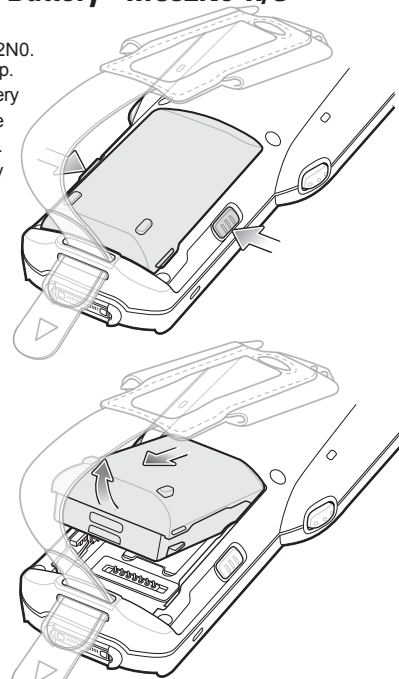


\* It is recommended that this product be charged for 24 hours before the first use to ensure that the internal battery is fully charged.

## BATTERY REMOVAL

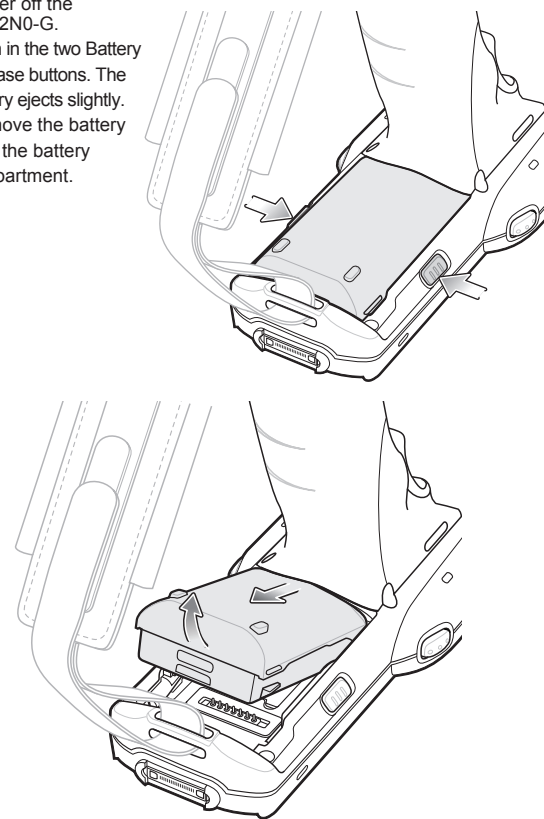
### Removing the Battery - MC32N0-R/S

1. Power off the MC32N0.
2. Loosen the handstrap.
3. Push in the two Battery Release buttons. The battery ejects slightly.
4. Remove the battery from the battery compartment.



### Removing the Battery - MC32N0-G

1. Power off the MC32N0-G.
2. Push in the two Battery Release buttons. The battery ejects slightly.
3. Remove the battery from the battery compartment.



Zebra Technologies Corporation  
Lincolnshire, IL U.S.A.

Zebra and the Zebra head graphic are registered trademarks of ZIH Corp. The Symbol logo is a registered trademark of Symbol Technologies, Inc., a Zebra Technologies company.

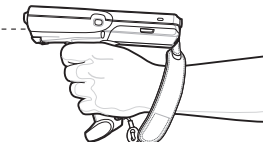
© 2014 Symbol Technologies, Inc.



MN000215A02 Rev. A December 2014

## DATA CAPTURE OPTIONS

### MC32N0-G Scanning



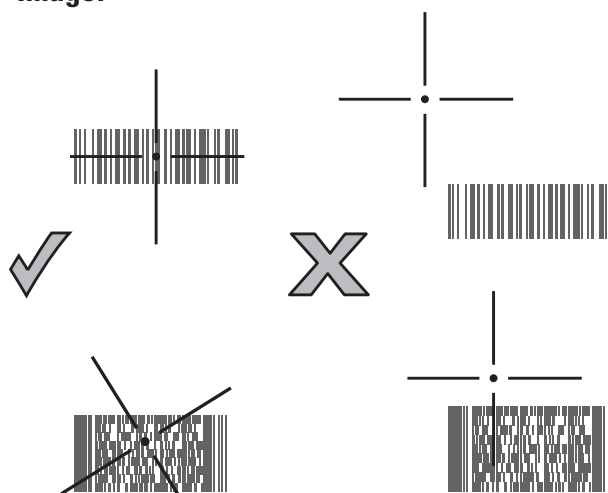
### MC32N0-S Scanning



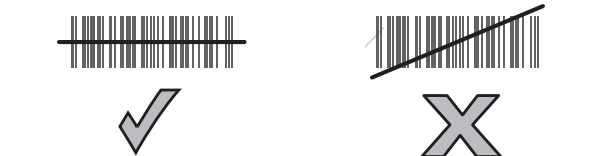
### MC32N0-R Scanning



### Imager



### Laser Scanner



## ERGONOMICS

### Optimum Body Posture for Low Scanning

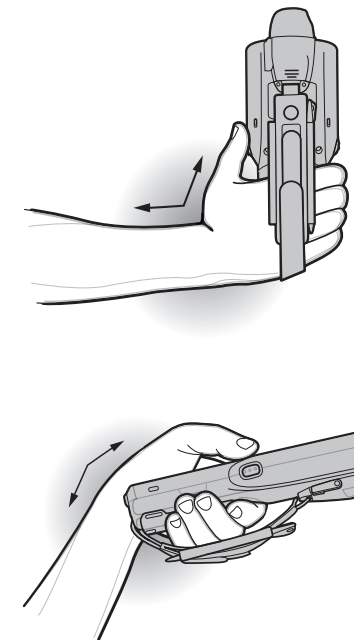


Alternate left and right knees

### Optimum Body Posture for High Scanning



Alternatete left and right hand



Taking breaks and task rotation recommended