

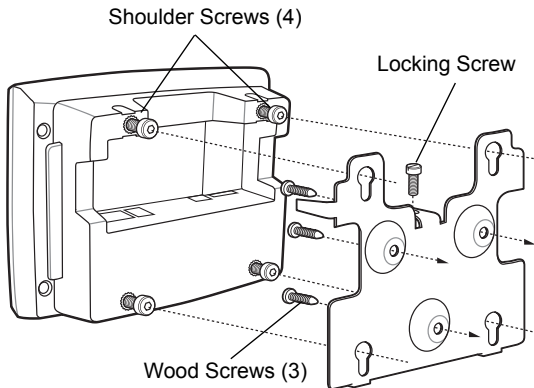
Introduction

This guide provides instructions for mounting the MK500, MK3000, and MK4000 using the Wall Mount Kits and Pole Mount Kits.

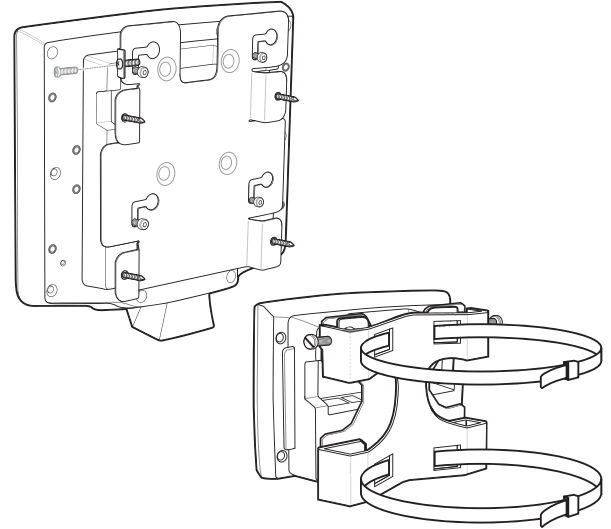
Using the MK500 Wall Mount Kit

To mount the MK500 using the Wall Mount Kit:

1. Determine the MK500 mounting location.
2. Secure the mounting plate to the wall using the three wood screws provided.
3. Insert the four shoulder screws, also provided, into the mounting holes in the back of the MK500.
4. Connect the cables to the MK500 and route and secure them properly.
5. Mount the MK500 by placing the shoulder screws through the four keyholes on the mounting plate, and slide the MK500 down to secure in place.
6. Insert the locking screw through the hole in the tab at the top of the mounting plate. Hand tighten the screw to secure the MK500.



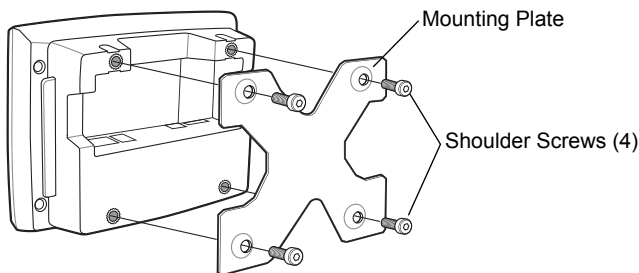
MK500/3000/4000 Mounting Kits Installation Guide



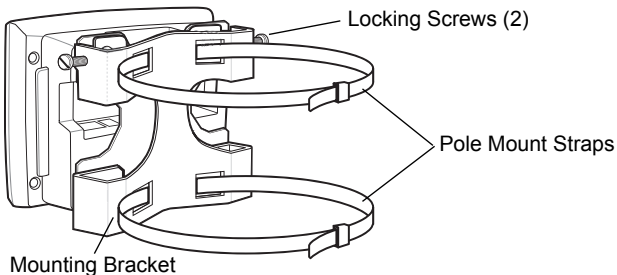
Using the MK500 Pole Mount Kit

To mount the MK500 to a pole using the Pole Mount Kit:

1. Connect the cables to the MK500 and route and secure them properly.
2. Secure the mounting plate to the MK500 using the four shoulder screws provided.



3. Route the pole mount straps through the mounting bracket. Wrap them around the pole and tighten.
4. Mount the MK500 by placing the shoulder screws through the four keyholes on the mounting bracket, and slide the MK500 down to secure.
5. Insert the two locking screws through the holes in the tabs at the top side of the mounting bracket. Hand tighten the screws to secure the MK500.



© 2015 Symbol Technologies Inc.

Zebra reserves the right to make changes to any product to improve reliability, function, or design.

Zebra does not assume any product liability arising out of, or in connection with, the application or use of any product, circuit, or application described herein. No license is granted, either expressly or by implication, estoppel, or otherwise under any patent right or patent, covering or relating to any combination, system, apparatus, machine, material, method, or process in which Zebra products might be used. An implied license exists only for equipment, circuits, and subsystems contained in Zebra products.

Zebra and the Zebra head graphic are registered trademarks of ZIH Corp. The Symbol logo is a registered trademark of Symbol Technologies, Inc., a Zebra Technologies company.

Zebra Technologies Corporation
Lincolnshire, IL U.S.A.
<http://www.zebra.com>

Warranty

For the complete Zebra hardware product warranty statement, go to:
<http://www.zebra.com/warranty>



Zebra Technologies Corporation
Lincolnshire, IL U.S.A.
<http://www.zebra.com>

Zebra and the Zebra head graphic are registered trademarks of ZIH Corp. The Symbol logo is a registered trademark of Symbol Technologies, Inc., a Zebra Technologies company.

© 2015 Symbol Technologies, Inc.



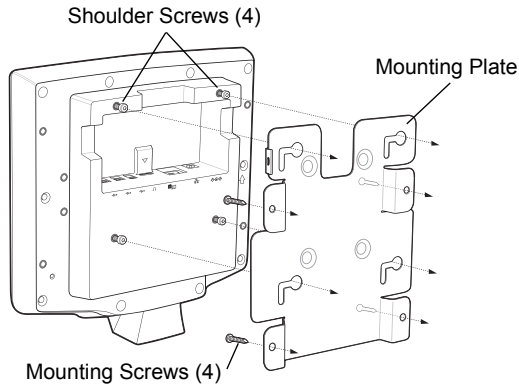
72-155125-02 Revision A — February 2015



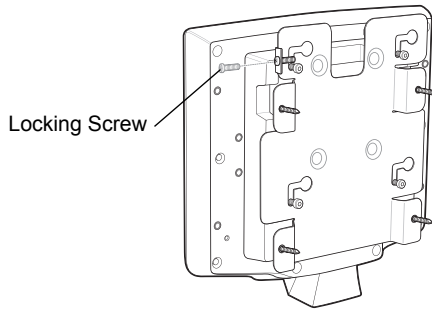
Using the MK3000/MK4000 Wall Mount Kit

To mount the MK3000/MK4000 using the Wall Mount Kit:

1. Determine the mounting location.
2. Secure the mounting plate to the wall using the four mounting screws provided.
3. Insert the four shoulder screws, also provided, into the mounting holes in the back of the MK3000/MK4000.



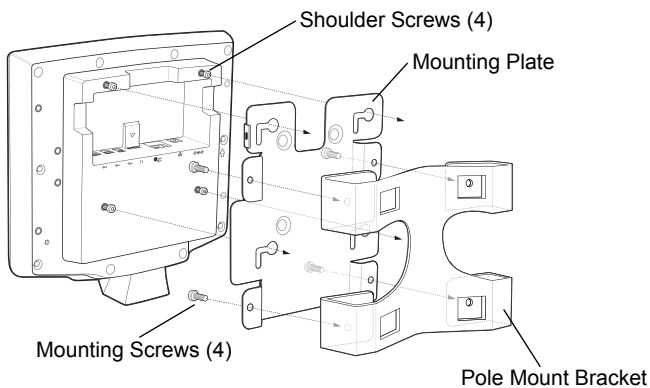
4. Connect the cables and route and secure them properly.
5. Mount the MK3000/MK4000 by placing the shoulder screws through the four keyholes on the mounting plate, and slide the MK3000/MK4000 over and down to secure.
6. Insert the locking screw through the hole in the tab at the side of the mounting plate. Hand tighten the screw to secure the MK3000/MK4000.



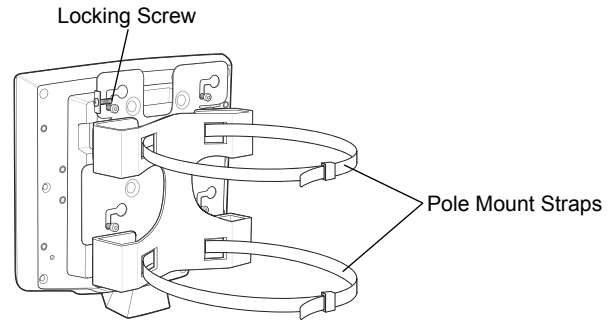
Using the MK3000/MK4000 Pole Mount Kit

To mount the MK3000/MK4000 to a pole using the Pole Mount Kit:

1. Connect the cables to the MK3000/MK4000 and route and secure them properly.
2. Insert the four shoulder screws provided into the mounting holes in the back of the MK3000/MK4000.
3. Secure the mounting plate to the pole mount bracket using the four mounting screws provided.
4. Mount the MK3000/MK4000 by placing the shoulder screws through the four keyholes on the mounting plate, and slide the MK3000/MK4000 over and down to secure.



5. Route the pole mount straps through the mounting bracket. Wrap them around the pole and tighten.
6. Insert the locking screw through the hole in the tab at the side of the mounting plate. Hand tighten the screw to secure the MK3000/MK4000.



Waste Electrical and Electronic Equipment (WEEE)

English: For EU Customers: All products at the end of their life must be returned to Zebra for recycling. For information on how to return product, please go to: <http://www.zebra.com/weee>.

Български: За клиенти от ЕС: След края на ползването им всички продукти трябва да се връщат на Zebra за рециклиране. За информация относно връщането на продукти, моля отидете на адрес: <http://www.zebra.com/weee>.

Dansk: Til kunder i EU: Alle produkter skal returneres til Zebra til recirkulering, når de er udtjent. Læs oplysningerne om returnering af produkter på: <http://www.zebra.com/weee>.

Deutsch: Für Kunden innerhalb der EU: Alle Produkte müssen am Ende ihrer Lebensdauer zum Recycling an Zebra zurückgesandt werden. Informationen zur Rücksendung von Produkten finden Sie unter <http://www.zebra.com/weee>.

Eesti: EL klientidele: Kõik tooted tuleb nende eluea lõppedes tagastada taaskasutamise eesmärgil Zebra'ile. Lisainformatsiooni saamiseks toote tagastamise kohta külastage palun aadressi: <http://www.zebra.com/weee>.

Español: Para clientes en la Unión Europea: todos los productos deberán entregarse a Zebra al final de su ciclo de vida para que sean reciclados. Si desea más información sobre cómo devolver un producto, visite: <http://www.zebra.com/weee>.

Français: Clients de l'Union Européenne : Tous les produits en fin de cycle de vie doivent être retournés à Zebra pour recyclage. Pour de plus amples informations sur le retour de produits, consultez : <http://www.zebra.com/weee>.

Italiano: per i clienti dell'UE: tutti i prodotti che sono giunti al termine del rispettivo ciclo di vita devono essere restituiti a Zebra al fine di consentirne il riciclaggio. Per informazioni sulle modalità di restituzione, visitare il seguente sito Web: <http://www.zebra.com/weee>.

Magyar: Az EU-ban vásárlóknak: Minden tönkrement terméket a Zebra vállalatához kell eljuttatni újrahasznosítás céljából. A termék visszajuttatásának módjával kapcsolatos tudnivalóért látogasson el a <http://www.zebra.com/weee> weboldalra.

Nederlands: Voor klanten in de EU: alle producten dienen aan het einde van hun levensduur naar Zebra te worden teruggezonden voor recycling. Raadpleeg <http://www.zebra.com/weee> voor meer informatie over het terugzenden van producten.

Português: Para clientes da UE: todos os produtos no fim de vida devem ser devolvidos à Zebra para reciclagem. Para obter informações sobre como devolver o produto, visite: <http://www.zebra.com/weee>.

Românesc: Pentru clienții din UE: Toate produsele, la sfârșitul duratei lor de funcționare, trebuie returnate la Zebra pentru reciclare. Pentru informații despre returnarea produsului, accesați: <http://www.zebra.com/weee>.

Slovenski: Za kupce v EU: vsi izdelki se morajo po poteku življenjske dobe vrniti podjetju Zebra za reciklažo. Za informacije o vračilu izdelka obiščite: <http://www.zebra.com/weee>.

Suomi: Asiakkaita Euroopan unionin alueella: Kaikki tuotteet on palautettava kierrätettäväksi Zebra-yhtiöön, kun tuotetta ei enää käytetä. Lisätietoja tuotteen palauttamisesta on osoitteessa <http://www.zebra.com/weee>.

Svenska: För kunder inom EU: Alla produkter som uppnått sin livslängd måste returneras till Zebra för återvinning. Information om hur du returnerar produkten finns på <http://www.zebra.com/weee>.

Service Information

If you have a problem using the equipment, contact your facility's Technical or Systems Support. If there is a problem with the equipment, they will contact Zebra Support at: <http://www.zebra.com/support>

For the latest version of this guide go to: <http://www.zebra.com/support>