

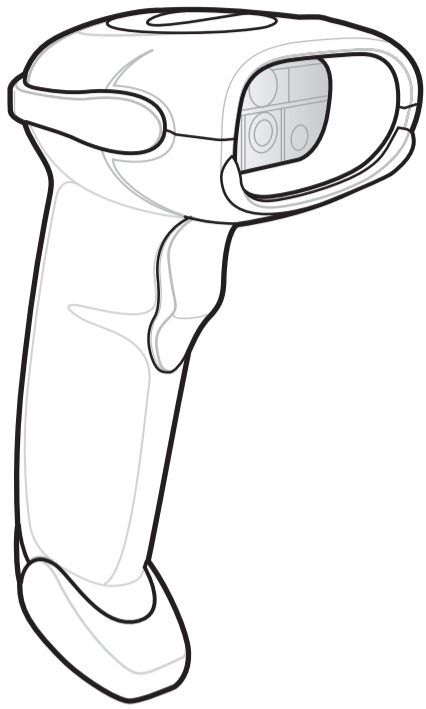
DS4208

Quick Start Guide

<http://www.zebra.com/ds4208>

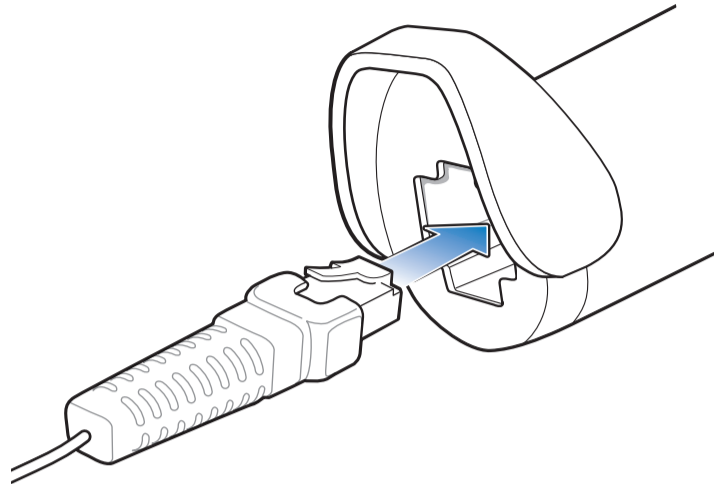
STEP 1 - ATTACH CABLE TO SCANNER

POST IN WORK AREA

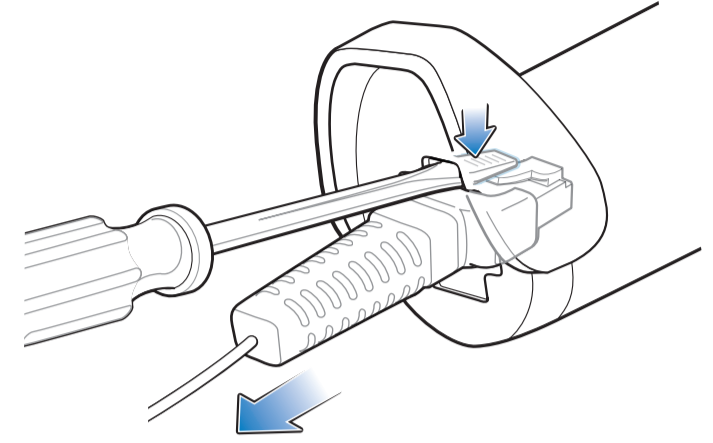


See Product Reference Guide for detailed information

Attach Cable



Remove Cable (to change interface)

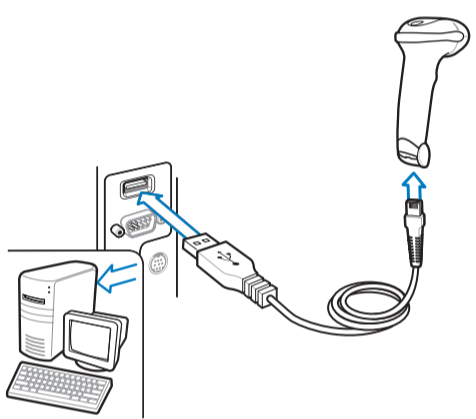


Note: An audible click sounds when the shielded cable is inserted correctly.

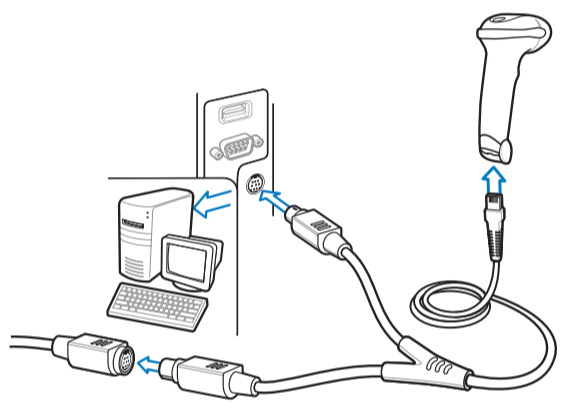
STEP 2 - CONNECT CABLE TO A HOST

NOTE: Cables may vary depending on configuration.

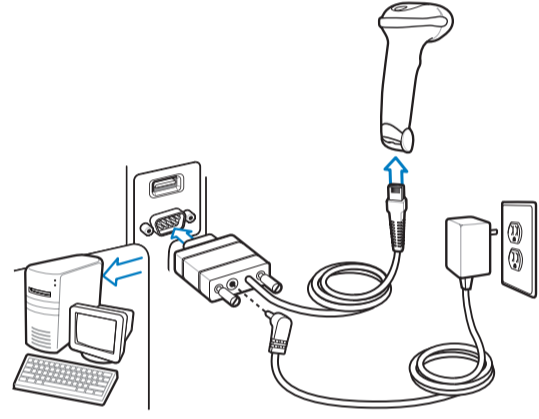
USB



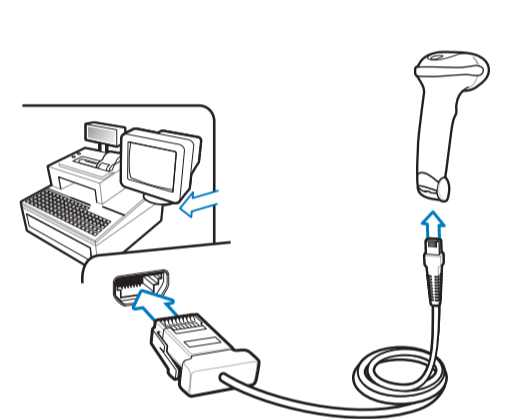
Keyboard Wedge



RS-232



IBM 46XX



STEP 3 - SET UP INTERFACE (Scan Host Bar Codes)

Important: Out of box, RS-232 and USB interfaces require no bar code scan setup. Bar codes are provided for complex programming or interface changes.

USB

Scan **ONE** of the bar codes below



IBM HAND-HELD USB



HID KEYBOARD EMULATION



Symbol Native API (SNAPI) without Imaging Interface

Keyboard Wedge

Scan **ONE** of the bar codes below



IBM AT Notebook



IBM PC/AT and IBM PC COMPATIBLE

RS-232

Scan **ONE** of the bar codes below



OPOS/JPOS



STANDARD RS-232

IBM 46XX

Scan **ONE** of the bar codes below



PORT 5B



PORT 9B

ADD AN ENTER KEY (CARRIAGE RETURN/LINE FEED)

To add an **ENTER** key after scanned data, scan all **THREE** bar codes below in numerical order.

1



SCAN OPTIONS

2



<DATA><SUFFIX>

3



ENTER

ADD A TAB KEY

To add a **Tab** key after scanned data, scan all **THREE** Enter key bar codes above in numerical order then scan all **FIVE** bar codes below in numerical order.

1



SCAN SUFFIX

2



7

3



0

4



0

5



9

